

SIC SCHOTTKY BARRIER DIODE

Reverse Voltage - 650 V

Forward Current - 4 A

FEATURES

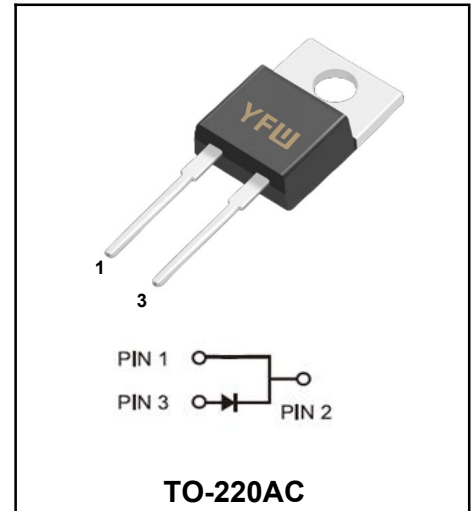
- ◆650-Volt SiC JBS Rectifier
- ◆Zero Reverse Recovery
- ◆Positive Temperature Coefficient on VF
- ◆Temperature-Independent Switching Behavior
- ◆Extremely Fast Switching
- ◆Extremely Low Leakage Current

APPLICATIONS

- ◆Uninterruptible power supply
- ◆Switch mode power supply
- ◆Power factor correction
- ◆Solar inverter

BENEFITS

- ◆High-speed switching
- ◆Low heat dissipation requirements
- ◆Reduced EMI
- ◆High-reliability



Maximum Ratings at Ta=25°C unless otherwise specified

Parameter	Test Conditions	Symbol	Value	Unit
Repetitive Peak Reverse Voltage	T _C = 25°C	V _{RRM}	650	V
Continuous Forward Current for Rth(j- c,max)	T _C = 25°C	I _F	12	A
	T _C = 110°C		8	
	T _C = 154°C		4	
Non-Repetitive Forward Surge Current, Sine Half-Wave	T _C = 25°C, tp = 10ms	I _{FSM}	32	A
	T _C = 110°C, tp = 10ms		27	
Repetitive Forward Surge Current, Sine Half-Wave	T _C = 25°C, tp = 10ms	I _{FRM}	30	A
	T _C = 110°C, tp = 10ms		26	
Single Pulse Avalanche Energy	T _C = 25°C, L= 0.5mH, V _{DD} = 50V, I _{peak} =6A	E _{AS}	9	mJ
Operating Temperature Range	-	T _J	175	°C
Storage Temperature Range	-	T _{STG}	-55 to +175	°C
Typical Thermal Resistance (Note1)	-	R _{θJC}	2.74	°C/W

Note1: Pulse test: 300 μs pulse width, 2 % duty cycle

Electrical Characteristics unless otherwise specified

Parameter		Symbol	Value			Unit
			Min	Typ	Max	
Forward Voltage Drop(Note2)		V_{bc}	650		-	V
I _R = 100μA						
at I _F =4A	T _A =25°C	V_F	-	1.37	1.7	V
	T _A =175°C		-	1.66	-	
Maximum Reverse Current at V _R =650V	T _A =25°C	I_R	-	0.5	20	μA
	T _A =175°C		-	8.5	-	
Total capacitive charge	V _R = 400V	Q_C	-	12	-	nC
Total capacitance	V _R = 1V, f = 1MHz	C	-	155	-	pF
	V _R = 200V, f = 1MHz		-	23	-	
	V _R = 400V, f = 1MHz		-	17	-	
Capacitance stored energy	V _R = 400V	E_C	-	1.7	-	μJ

Note2:Pulse test: 300 μs pulse width, 1 % duty cycle

RATINGS AND CHARACTERISTIC CURVES

Figure 1. V_F Typical Forward Characteristics

$I_F = 0 \sim 8A$

T_{vj} ranges from $-55\text{ }^\circ\text{C}$ to $175\text{ }^\circ\text{C}$

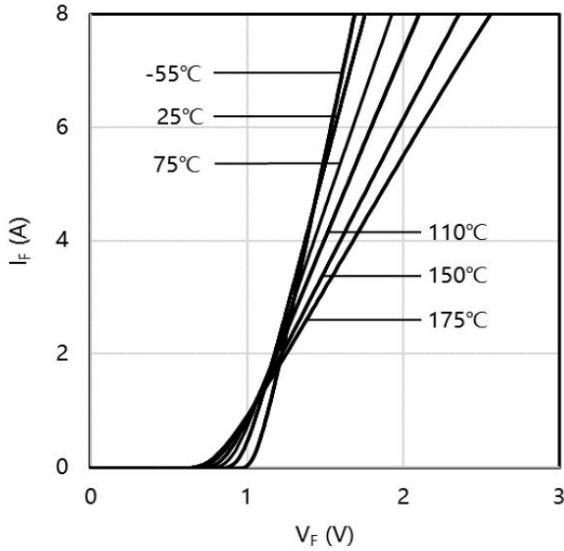


Figure 2. I_R Typical Reverse Characteristics

$V_R = 300 \sim 700\text{ V}$

T_{vj} ranges from $25\text{ }^\circ\text{C}$ to $175\text{ }^\circ\text{C}$

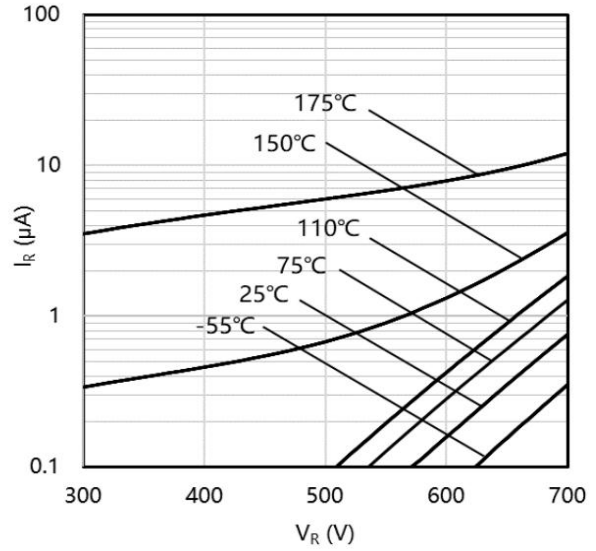


Figure 3. Total Capacitance Charge Characteristics

$V_R = 0 \sim 650\text{ V}$

$T_{vj} = 25\text{ }^\circ\text{C}$

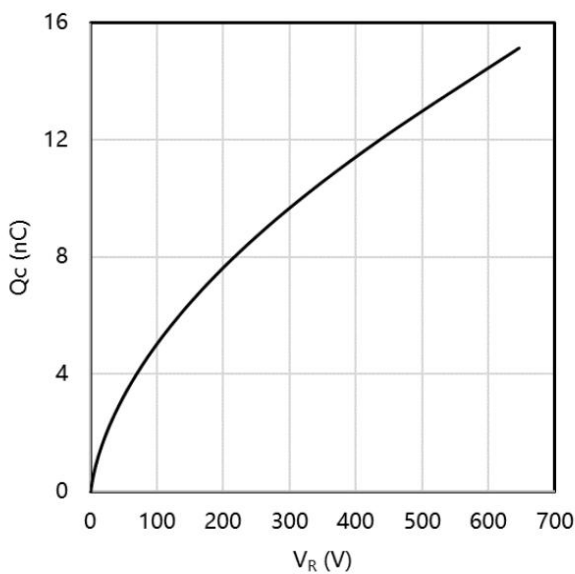
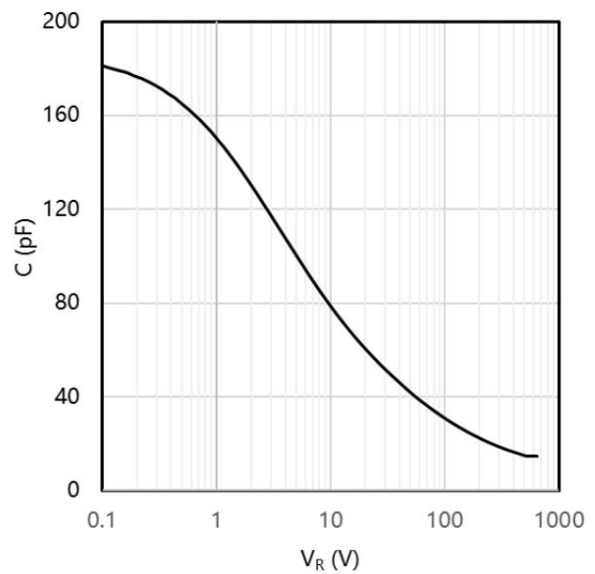


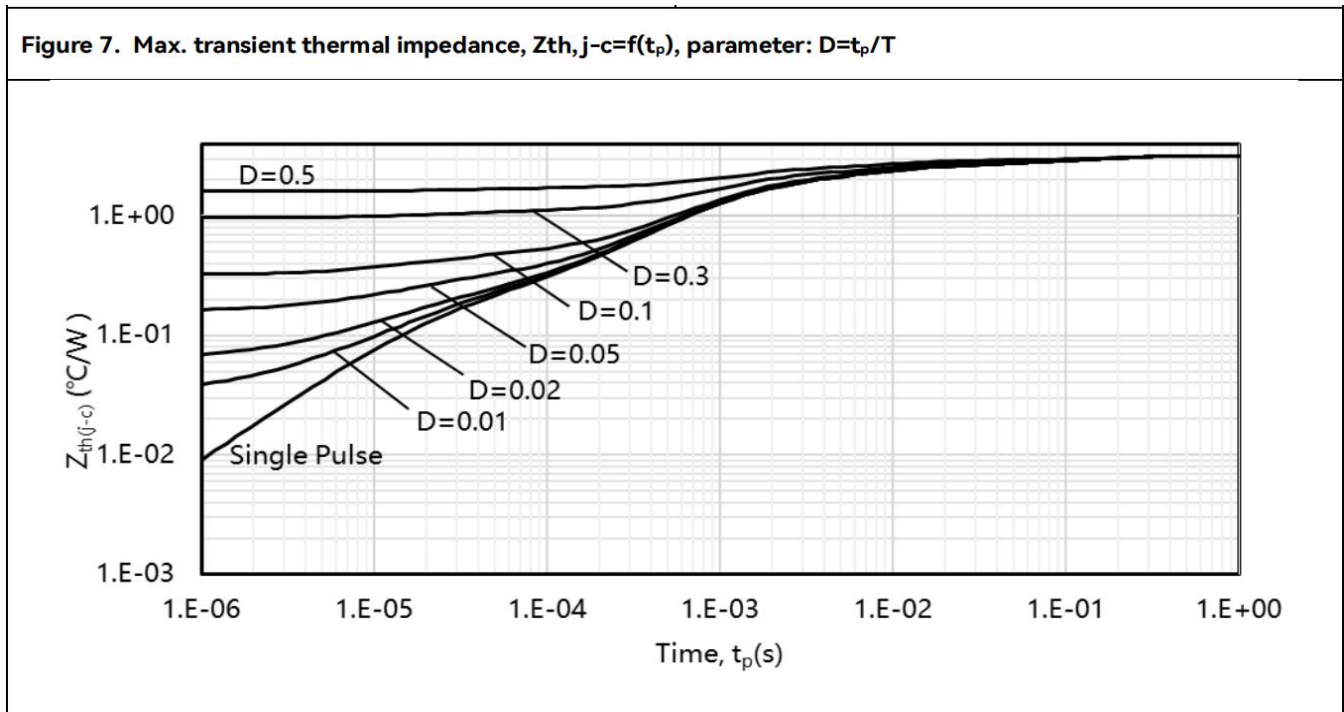
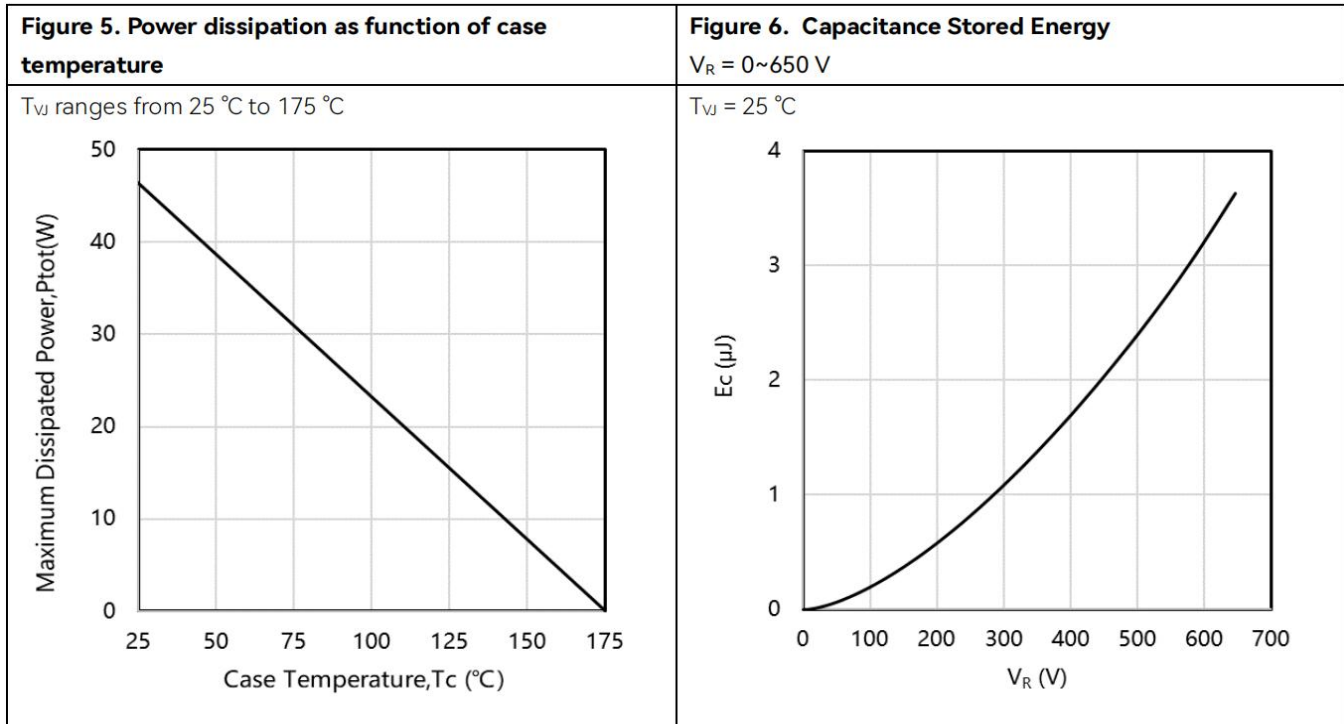
Figure 4. Total Capacitance Characteristics

$V_R = 0 \sim 650\text{ V}$

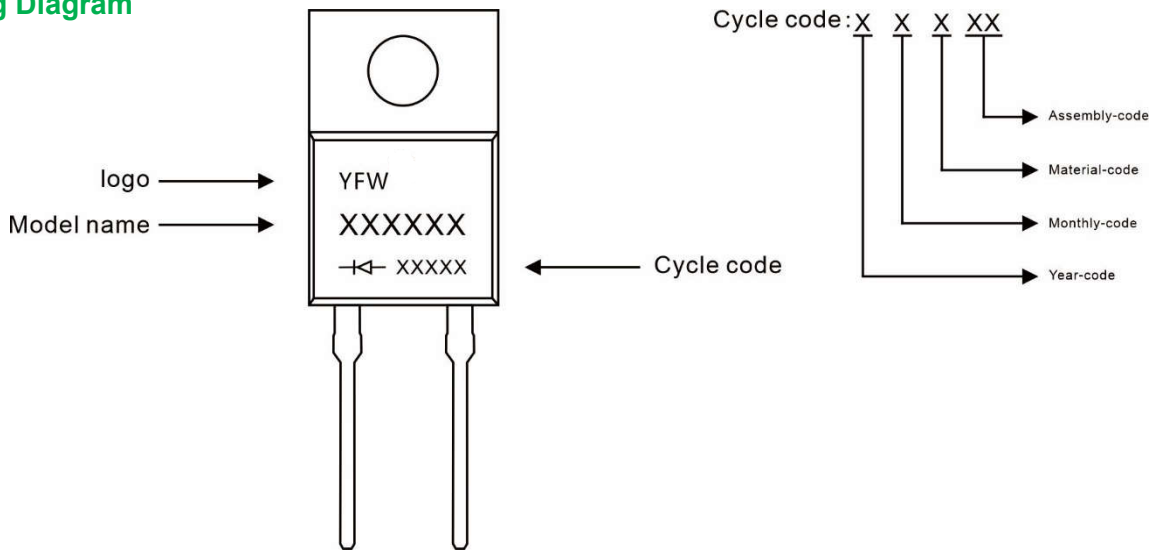
$T_{vj} = 25\text{ }^\circ\text{C}$



RATINGS AND CHARACTERISTIC CURVES



Marking Diagram



Ordering information

Model name	Package	Unit Weight	Base Quantity	Packing Quantity
YFWD304065AC	TO-220AC	0.067oz(1.9g)	50pcs/tube	1000PCS/Box 5000PCS/Carton

Package Dimensions

TO-220AC

Dim	Millimeter		Inches	
	Min.	Max.	Min.	Max.
A	4.34	4.67	0.171	0.184
A1	2.52	2.82	0.099	0.111
b	0.71	0.91	0.028	0.036
b1	1.17	1.37	0.046	0.054
c	0.30	0.50	0.012	0.020
c1	1.17	1.37	0.046	0.054
D	9.90	10.20	0.390	0.402
E	8.50	8.90	0.335	0.350
E1	12.00	12.50	0.472	0.492
e	2.44	2.64	0.096	0.104
e1	4.88	5.28	0.192	0.208
F	2.60	2.80	0.102	0.110
L	13.20	13.80	0.520	0.543
L1	3.80	4.20	0.150	0.165
Φ	3.60	3.96	0.142	0.156

Disclaimer

The information presented in this document is for reference only. GuangDong Youfeng Microelectronics Co.,Ltd. reserves the right to make changes without notice for the specification of the products displayed herein to improve reliability, function or design or otherwise. The product listed herein is designed to be used with ordinary electronic equipment or devices, and not designed to be used with equipment or devices which require high level of reliability and the malfunction of which would directly endanger human life (such as medical instruments, transportation equipment, aerospace machinery, nuclear-reactor controllers, fuel controllers and other safety devices), YFW or anyone on its behalf, assumes no responsibility or liability for any damages resulting from such improper use of sale. This publication supersedes & replaces all information previously supplied. For additional information, please visit our website <https://www.yfwdiode.com>, or consult YFW sales office for further assistance.