

**NPN Silicon Epitaxial Planar Transistor**

**Features**

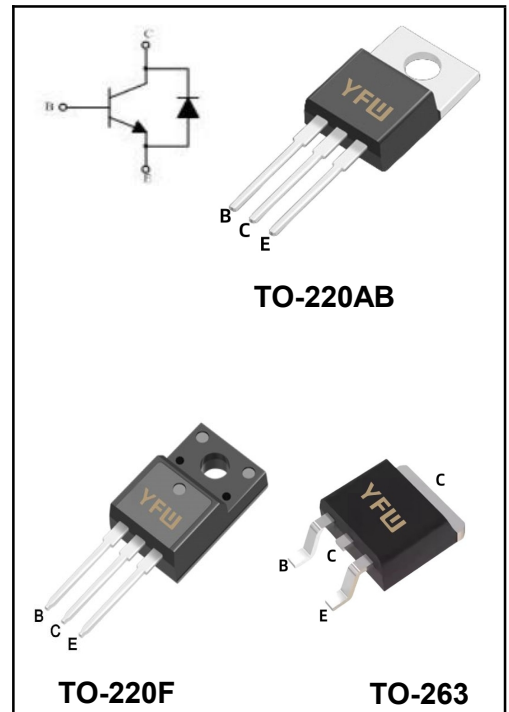
- ‡ High voltage
- ‡ High speed switching

**APPLICATIONS**

- ‡ High Speed Switching
- ‡ Suitable for Switching Regulator and Motor Control

**Mechanical Data**

- ‡ Case: Molded plastic
- ‡ Polarity: As marked
- ‡ Mounting Position: Any
- ‡ Molded Plastic: UL Flammability Classification Rating 94V-0
- ‡ Lead free in compliance with EU RoHS 2011/65/EU directive
- ‡ Solder bath temperature 275°C maximum, 10s per JESD22-106



Rank	<b>A</b>	<b>B</b>	<b>C</b>	<b>D</b>
HFE	15-20	20-25	25-30	30-35

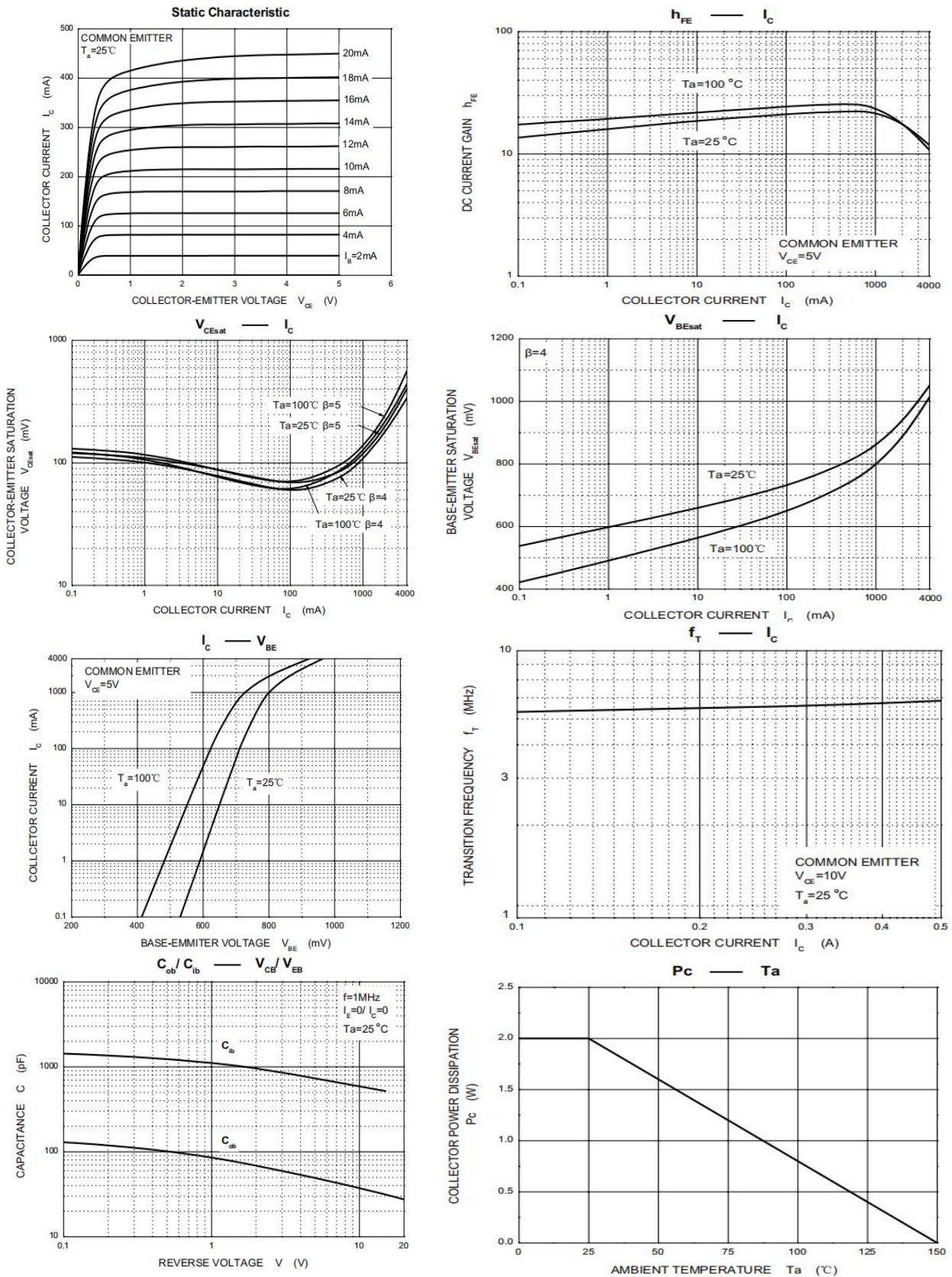
**Maximum Ratings At Ta=25°C Unless Otherwise Specified**

Characteristics	Symbol	Value	Unit
Collector Base Voltage	$V_{CBO}$	800	V
Collector Emitter Voltage	$V_{CEO}$	450	V
Emitter Base Voltage	$V_{EBO}$	9	V
Collector Current	$I_C$	4	A
Thermal Resistance from Junction to Ambient	$R_{\theta JA}$	62.5	°C/W
Power Dissipation (Tc = 25 °C ) Superimposed on Rated Load (JEDEC method)	$P_{tot}$	1.25	W
Operating Temperature Range	$T_J$	150	°C
Storage Temperature Range	$T_{STG}$	-55 to +150	°C

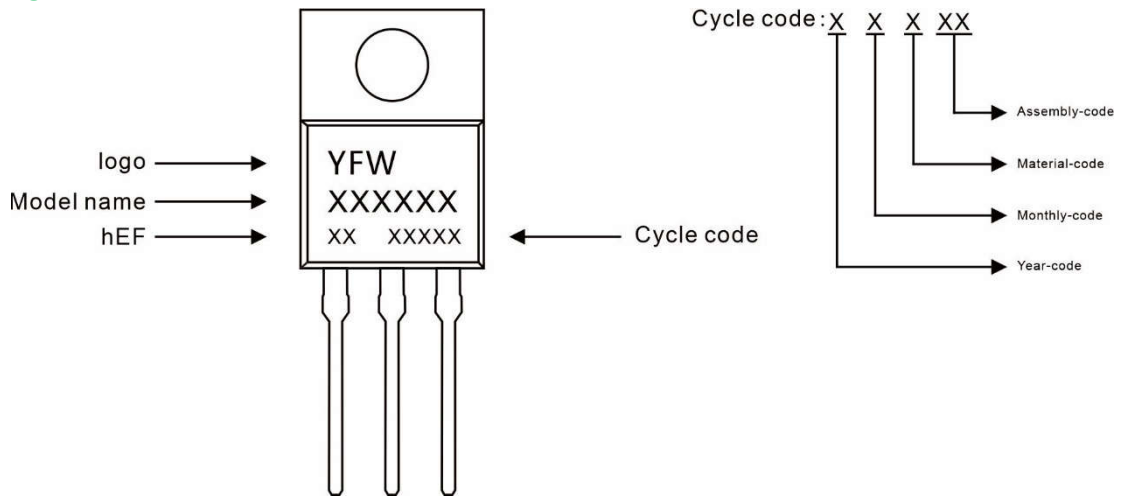
**Electrical Characteristics(Ta=25°C)**

Parameter	Symbol	Min.	Typ.	Max.	Unit
DC Current Gain at $V_{CE} = 5V, I_C = 1A$	$h_{FE}$	15	-	35	-
Collector Base Cutoff Current at $V_{CB} = 750V$	$I_{CBO}$	-	-	10	$\mu A$
Collector Emitter Cutoff Current at $V_{CE} = 400V$	$I_{CEO}$	-	-	10	$\mu A$
Emitter Base Cutoff Current at $V_{EB} = 9V$	$I_{EBO}$	-	-	10	$\mu A$
Collector Emitter Saturation Voltage at $I_C = 200mA, I_B = 40mA$	$V_{CE(sat)}$	-	-	1	V
Base Emitter Saturation Voltage at $I_C = 200mA, I_B = 40mA$	$V_{BE(sat)}$	-	-	1.5	V
Transition Frequency at $V_{CE}=10V, I_C=500mA, f=1MHZ$	$f_T$	4	-	-	MHZ

Ratings And Characteristic Curves



Marking Diagram



Ordering information

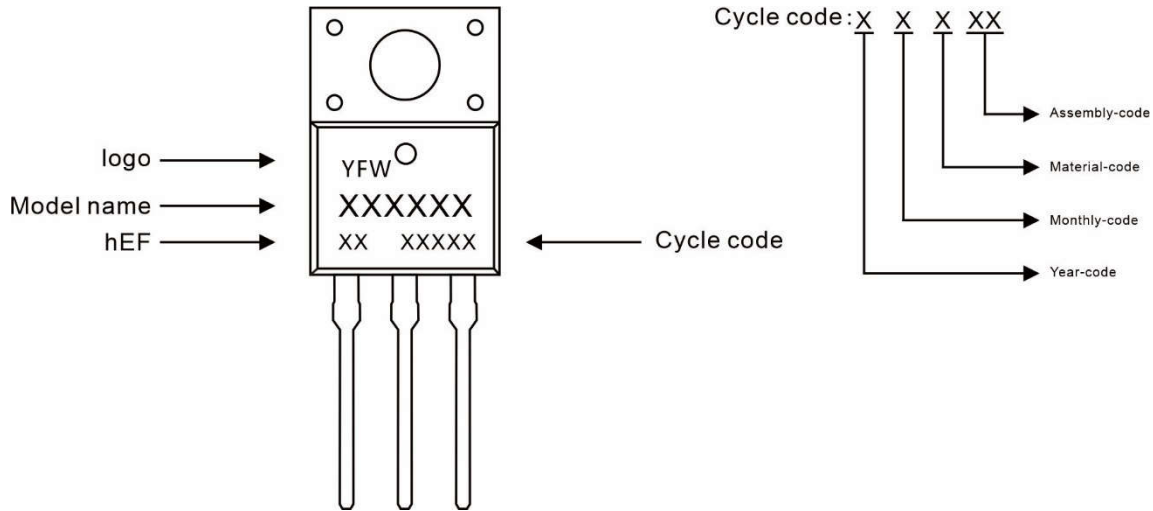
Model name	Package	Unit Weight	Base Quantity	Packing Quantity
YFW13005AT	TO-220AB	0.07oz(1.96g)	50pcs/tube	1000PCS/Box 5000PCS/Carton

Package Dimensions

TO-220AB

Symbol	Millimeter		Inches	
	Min.	Max.	Min.	Max.
A	4.30	4.70	0.169	0.185
A1	2.52	2.82	0.099	0.111
b	0.71	0.91	0.028	0.036
b1	1.17	1.37	0.046	0.054
c	0.30	0.50	0.012	0.020
c1	1.17	1.37	0.046	0.054
D	9.90	10.20	0.390	0.402
E	8.50	8.90	0.335	0.350
E1	12.00	12.50	0.472	0.492
e	2.44	2.64	0.096	0.104
e1	4.88	5.28	0.192	0.208
F	2.60	2.80	0.102	0.110
L	13.20	13.80	0.520	0.543
L1	3.80	4.20	0.150	0.165
Φ	3.60	3.96	0.142	0.156

Marking Diagram



Ordering information

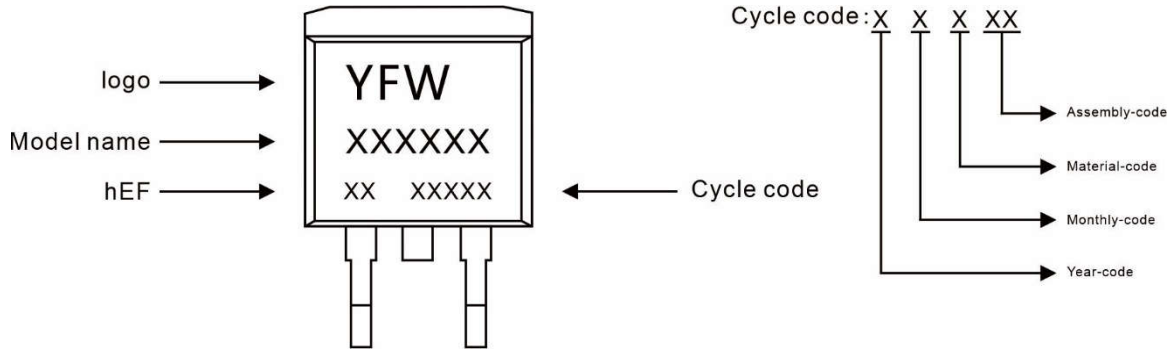
Model name	Package	Unit Weight	Base Quantity	Packing Quantity
YFW13005AF	TO-220F	0.06oz(1.74g)	50pcs/tube	1000PCS/Box 5000PCS/Carton

Package Dimensions

TO-220F

Symbol	Millimeter		Inches	
	Min.	Max.	Min.	Max.
A	4.50	4.90	0.177	0.193
A1	2.34	2.74	0.092	0.108
A2	2.66	2.86	0.105	0.113
b	0.75	0.85	0.030	0.033
b1	1.24	1.44	0.049	0.057
c	0.40	0.60	0.016	0.024
D	10.00	10.32	0.394	0.406
E	15.75	16.05	0.620	0.632
e	2.44	2.64	0.096	0.104
e1	4.88	5.28	0.192	0.208
F	3.10	3.5	0.122	0.138
L	13.50	13.90	0.531	0.547
L1	2.90	3.30	0.114	0.130
Φ	3.10	3.30	0.122	0.130

Marking Diagram



Ordering information

Model name	Package	Unit Weight	Base Quantity	Packing Quantity
YFW13005AS	TO-263	0.04oz(1.16g)	800pcs/reel	1600pcs/box 8000pcs/Carton

Package Dimensions  
TO-263

Dim	Millimeter		Inches	
	Min.	Max.	Min.	Max.
A	4.30	4.70	0.169	0.185
A1	0.00	0.15	0.000	0.006
A2	4.30	4.55	0.169	0.179
B	1.10	1.50	0.043	0.059
b	0.70	0.90	0.028	0.035
b1	1.20	1.50	0.047	0.059
c	0.30	0.60	0.012	0.024
c1	1.17	1.37	0.046	0.054
D	9.90	10.20	0.390	0.402
E	8.50	8.90	0.335	0.350
e	2.44	2.64	0.096	0.104
e1	4.88	5.28	0.192	0.208
L	15.00	15.30	0.591	0.602
L1	5.20	5.40	0.205	0.213
L2	2.40	2.60	0.094	0.102
L3	1.60	1.80	0.063	0.071

## Disclaimer

The information presented in this document is for reference only. GuangDong Youfeng Microelectronics Co.,Ltd. reserves the right to make changes without notice for the specification of the products displayed herein to improve reliability, function or design or otherwise. The product listed herein is designed to be used with ordinary electronic equipment or devices, and not designed to be used with equipment or devices which require high level of reliability and the malfunction of which would directly endanger human life (such as medical instruments, transportation equipment, aerospace machinery, nuclear-reactor controllers, fuel controllers and other safety devices), YFW or anyone on its behalf, assumes no responsibility or liability for any damages resulting from such improper use of sale. This publication supersedes & replaces all information previously supplied. For additional information, please visit our website <https://www.yfwdiode.com>, or consult YFW sales office for further assistance.