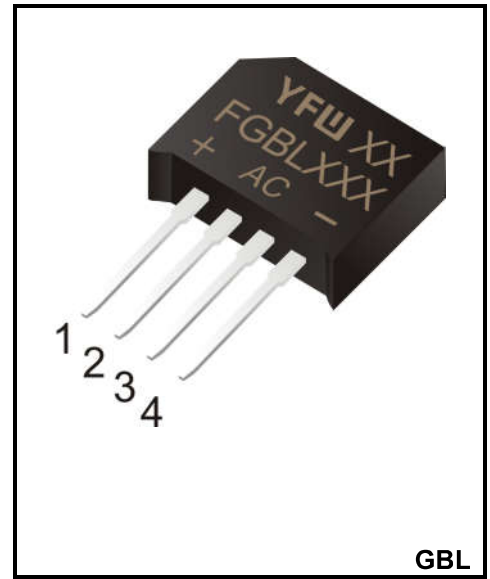


8.0A FAST RECOVERY RECTIFIER BRIDGE
Reverse Voltage – 400 to 1000 V
Forward Current – 8.0A
FEATURES

- ◆Glass passivated chip
- ◆Low Reverse Leakage Current
- ◆High surge current capability
- ◆Case to Terminal Isolation Voltage 2500V
- ◆Lead free in comply with EU RoHS 2011/65/EU directives

MECHANICAL DATA

- ◆Case: GBL
- ◆Terminals: Solderable per MIL-STD-750, Method 2026
- ◆Weight: About 2.15 grams


Maximum Ratings and Electrical characteristics

Ratings at 25 °C ambient temperature unless otherwise specified.

Single phase half-wave 60 Hz, resistive or inductive load, for capacitive load current derate by 20 %.

Parameter	Symbols	FGBL804	FGBL806	FGBL808	FGBL810	Units
Maximum Repetitive Peak Reverse Voltage	V_{RRM}	400	600	800	1000	V
Maximum RMS voltage	V_{RMS}	280	420	560	700	V
Maximum DC Blocking Voltage	V_{DC}	400	600	800	1000	V
Average Forward Output Rectified Current @ $T_a = 85^{\circ}C$	I_o	8.0				A
Forward Voltage Per Leg @ $I_{FM} = 8A$	V_F	1.35				V
Peak Forward Surge Current 8.3 ms Single Half Sine-Wave Superimposed on Rated Load	I_{FSM}	200				A
Maximum DC reverse current at rated DC blocking voltage per leg	I_R	5 100				μA
Maximum reverse recovery time	T_{rr}	150	250	500		nS
Typical Junction Capacitance (Note1)	C_j	60				pF
Maximum thermal resistance per	$R_{\theta JC}$	20				$^{\circ}C/W$
Rms isolation voltage from case to leads	V_{isol}	2500				V
Operating and Storage Temperature Range	T_j, T_{stg}	-55 ~ +150				$^{\circ}C$

Ratings and Characteristic Curves

FIG. 1- DERATING CURVE OUTPUT RECTIFIED CURRENT

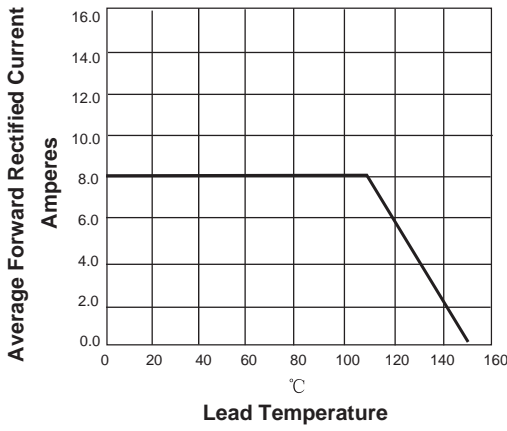


FIG. 2-MAXIMUM NON-REPETITIVE PEAK FORWARD SURGE CURRENT PER LEG

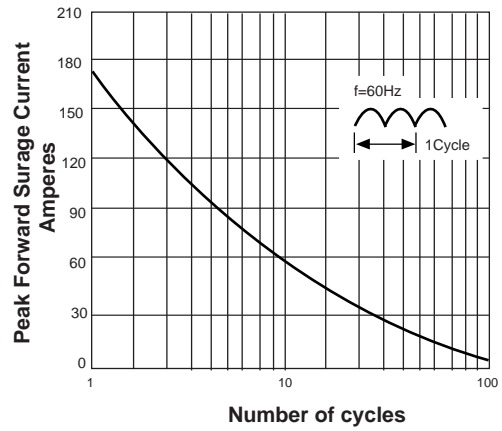


FIG. 3-TYPICAL FORWARD VOLTAGE CHARACTERISTICS

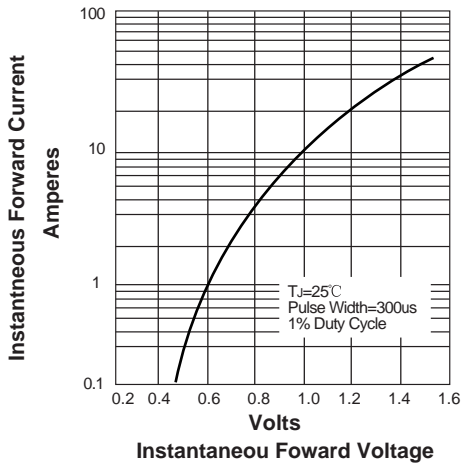
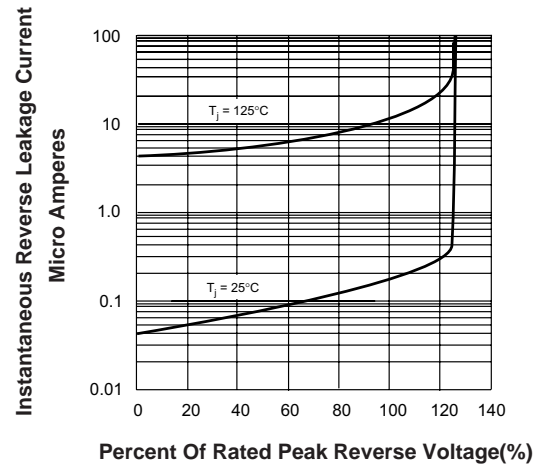
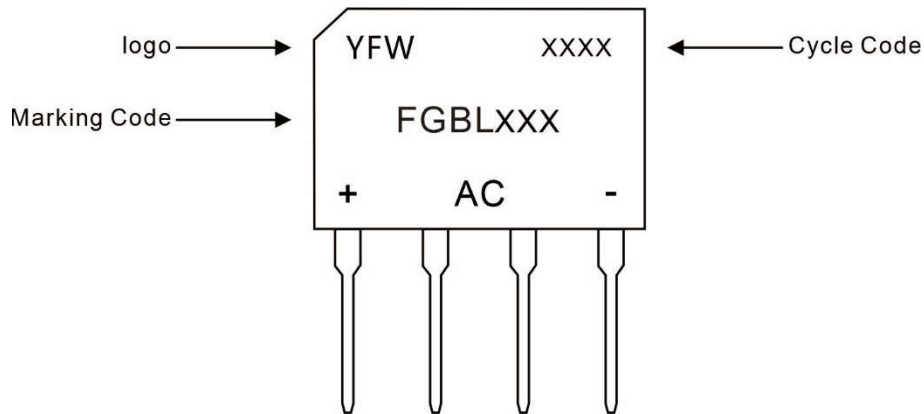


FIG. 4-TYPICAL REVERSE LEAKAGE CHARACTERISTICS



Rev. 0

Marking Diagram



Ordering information

Package	Packing Description	Packing Quantity
GBL	bulk	500PCS/Box 5000PCS/Carton

Package Dimensions

GBL

Dim.	Millimeter(mm)		Dimensions inInch	
	Min.	Max.	Min.	Max.
A	19.2	21.2	0.756	0.835
B	1.2	1.8	0.0472	0.0709
C	1.0	1.2	0.0394	0.0472
D	Typ:3.0		Typ:0.118	
E	4.9	5.1	0.193	0.201
F	10.5	11.5	0.413	0.453
G	2.0	3.0	0.079	0.118
H	13.0	15.0	0.512	0.591
I	3.0	4.0	0.118	0.157
J	0.9	1.1	0.035	0.043
K	0.4	0.6	0.016	0.024

Disclaimer

The information presented in this document is for reference only. Guangdong Youfeng Microelectronics Co.,Ltd. reserves the right to make changes without notice for the specification of the products displayed herein to improve reliability, function or design or otherwise. The product listed herein is designed to be used with ordinary electronic equipment or devices, and not designed to be used with equipment or devices which require high level of reliability and the malfunction of which would directly endanger human life (such as medical instruments, transportation equipment, aerospace machinery, nuclear-reactor controllers, fuel controllers and other safety devices), YFW or anyone on its behalf, assumes no responsibility or liability for any damages resulting from such improper use of sale. This publication supersedes & replaces all information previously supplied. For additional information, please visit our website <https://www.yfwdiode.com>, or consult YFW sales office for further assistance.