

1.5A SINGLE-PHASE GLASS PASSIVATED BRIDGE RECTIFIER

Voltage - 50 to 1000 V

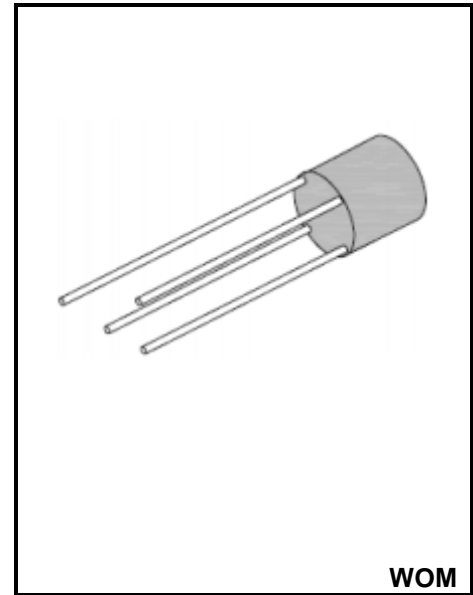
Forward Current – 1.5 A

FEATURES

- ◆ High current capability
- ◆ Low forward voltage drop
- ◆ Glass Passivated Chip Junction
- ◆ High temperature soldering guaranteed:
260°C for 10 seconds
- ◆ Lead free in comply with EU RoHS 2011/65/EU directives

MECHANICAL DATA

- ◆ Case: WOM
- ◆ Terminals: Solderable per MIL-STD-202, Method 208
- ◆ Approx. Weight: 1.3g



Maximum Ratings and Electrical characteristics

Ratings at 25 °C ambient temperature unless otherwise specified.

Parameter	Symbols	RB151	RB152	RB153	RB154	RB155	RB156	RB157	Units
Maximum Repetitive Peak Reverse Voltage	V_{RRM}	50	100	200	400	600	800	1000	V
Maximum RMS voltage	V_{RMS}	35	70	140	280	420	560	700	V
Maximum DC Blocking Voltage	V_{DC}	50	100	200	400	600	800	1000	V
Maximum Average Forward output Rectified Current at TA=25°C	$I_{(AV)}$	1.5							A
Peak Forward Surge Current 8.3 ms Single Half Sine-Wave Superimposed on Rated Load (JEDEC method)	I_{FSM}	50							A
Rating for Fusing(t<8.3ms)	I^2t	10							A ² S
Maximum instantaneous Forward Voltage drop bridge element at 1.0A	V_F	1.0							V
Maximum Reverse Current at TA=25°C at Rated DC Blocking Voltage TA=100°C	I_R	10							µA
		0.5							mA
Typical Junction Capacitance (Note1)	C_j	15							pF
Typical Thermal Resistance (Note2)	$R_{\theta JA}, R_{\theta JL}$	40							°C/W
Operating Temperature Range	T_j	-55 ~ +125							°C
Storage Temperature Range	T_{stg}	-55 ~ +150							°C

(1) Measured at 1 MHz and applied reverse voltage of 4 V D.C

(2) Thermal Resistance Junction to Ambient and from junction to lead at 0.375"(9.5mm) lead length P.C.B. Mounted.

Ratings And Characteristic Curves

FIG.1- MAXIMUM NON-REPETITIVE FORWARD SURGE CURRENT PER BRIDGE ELEMENT

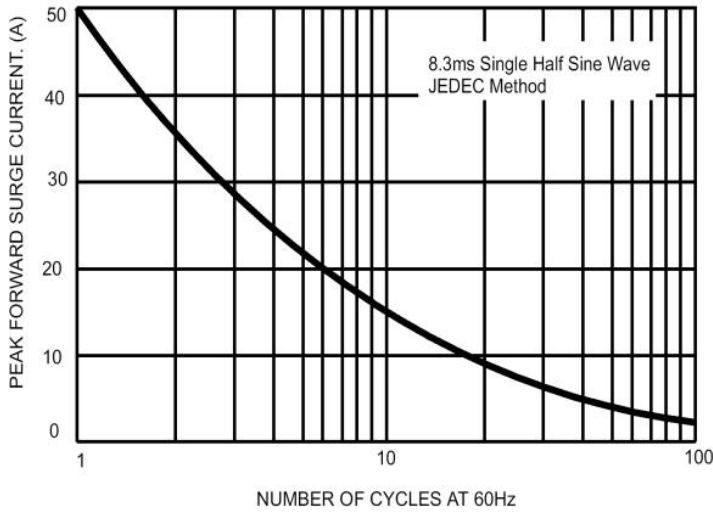


Fig.2 Average Rectified Output Current Derating Curve

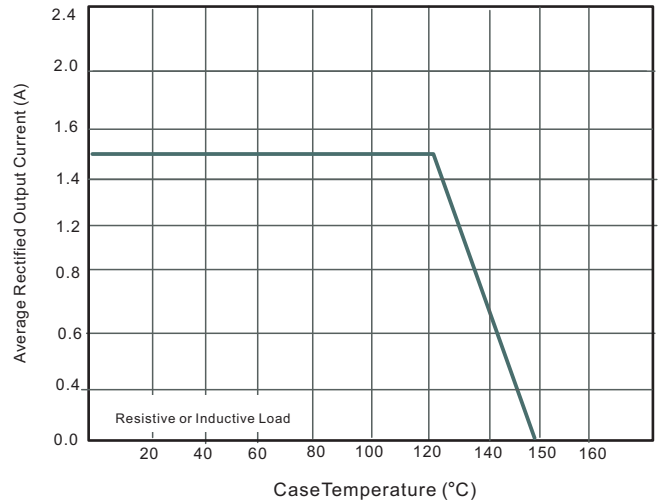


FIG.3- TYPICAL INSTANTANEOUS FORWARD CHARACTERISTICS PER BRIDGE ELEMENT

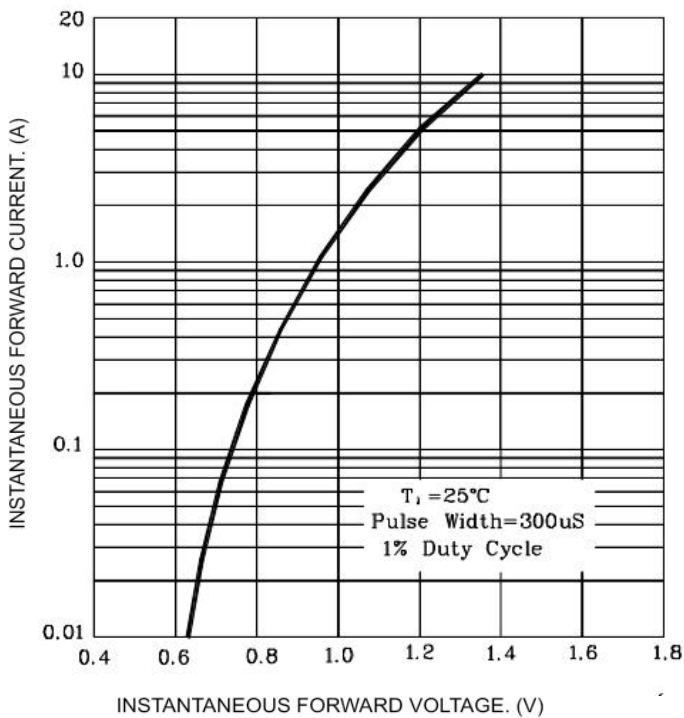
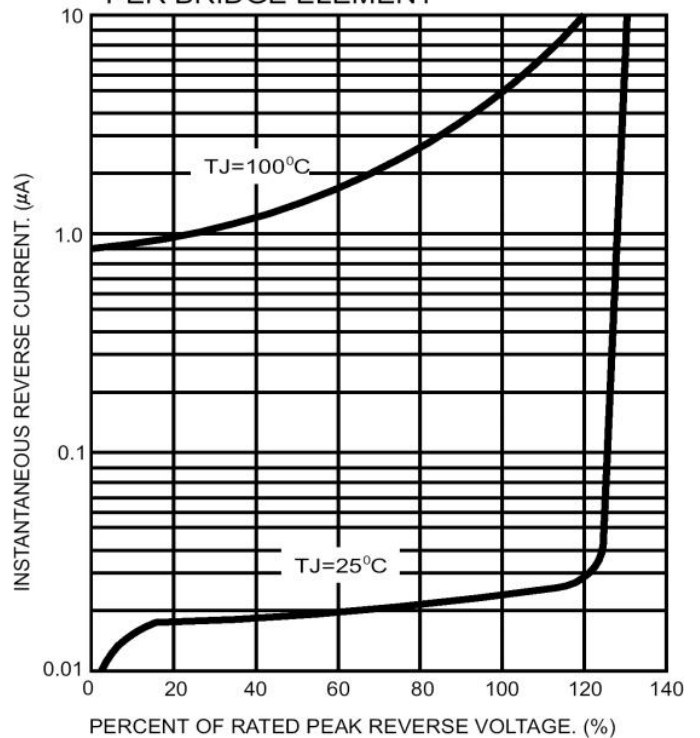
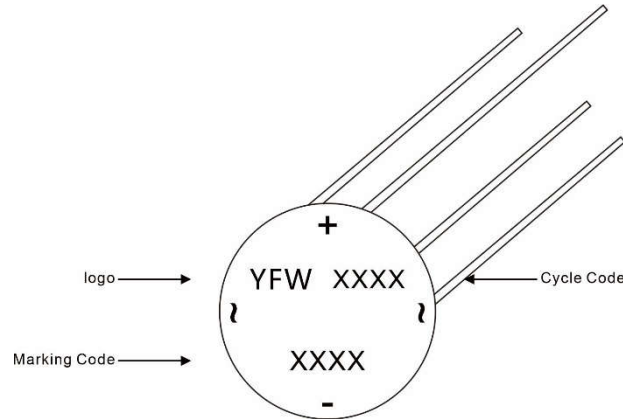


FIG.4- TYPICAL REVERSE CHARACTERISTICS PER BRIDGE ELEMENT



Marking Diagram



Ordering information

Package	Packing Description	Packing Quantity
WOM	bulk	1000PCS/Bag 1000PCS/Carton

Package Dimensions

WOM

Dim.	Millimeter(mm)		Dimensions inInch	
	Min.	Max.	Min.	Max.
A	-	9.10	-	0.358
B	-	4.60	-	0.169
C	25.40	-	1.000	-
D	27.90	-	1.098	-
E	4.60	5.60	0.180	0.220
F	0.71	0.81	0.028	0.032

Disclaimer

The information presented in this document is for reference only. GuangDong Youfeng Microelectronics Co.,Ltd. reserves the right to make changes without notice for the specification of the products displayed herein to improve reliability, function or design or otherwise. The product listed herein is designed to be used with ordinary electronic equipment or devices, and not designed to be used with equipment or devices which require high level of reliability and the malfunction of which would directly endanger human life (such as medical instruments, transportation equipment, aerospace machinery, nuclear-reactor controllers, fuel controllers and other safety devices), YFW or anyone on its behalf, assumes no responsibility or liability for any damages resulting from such improper use of sale. This publication supersedes & replaces all information previously supplied. For additional information, please visit our website <https://www.yfwdiode.com>, or consult YFW sales office for further assistance.