

25A Glass Passivated Single-Phase Bridge Rectifier

Voltage - 1200 to 1600 V

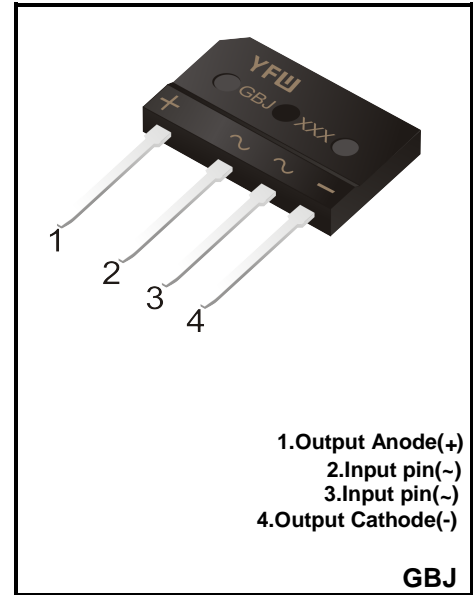
Forward Current –25A

FEATURES

- ◆ Glass passivated chip
- ◆ Low Reverse Leakage Current
- ◆ High surge current capability
- ◆ Case to Terminal Isolation Voltage 2500V

MECHANICAL DATA

- ◆ Case: plastic package
- ◆ Marking / Polarity: Marked on Body
- ◆ Weight: About 6.9 grams



Maximum Ratings and Thermal Characteristics @ Ta = 25°C unless otherwise noted

Parameter	Symbols	GBJ2512	GBJ2514	GBJ2516	Units
Maximum Recurrent Peak Reverse Voltage	V_{RRM}	1200	1400	1600	V
Average Forward Output Rectified Current@Ta =85°C	I_F (AV)	25			A
Forward Voltage Per Leg @I _{FM} =25A	V_F	1.1			V
Peak Forward Surge Current 8.3ms Single Half Sine-wave superimposed on rated load	I_{FSM}	350			A
Maximum DC reverse current at rated DC blocking voltage per leg	I_R	5 500			uA
Rating for fusing (t<8.3ms)	i²t	500			A²S
Rms isolation voltage from case to leads	V_{isol}	2500			V
Maximum thermal resistance per leg	R_{θJC}	1.0			°C/W
Operating Junction and storage temperature range	T_J, T_{STG}	-55~150			°C

Note:

- 1.Junction to case with heatsink
- 2.Recommended mounting position is to bolt down on heatsink with silicone thermal compound for maximum heat transfer with M3 screw

Ratings And Characteristic Curves

Fig 1-forwardCurrent derating Curve

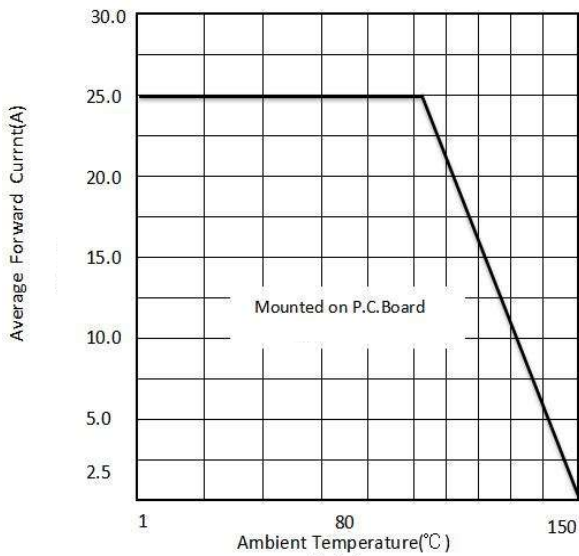


Fig.2-Maximum Non-Repetitive Surge Current

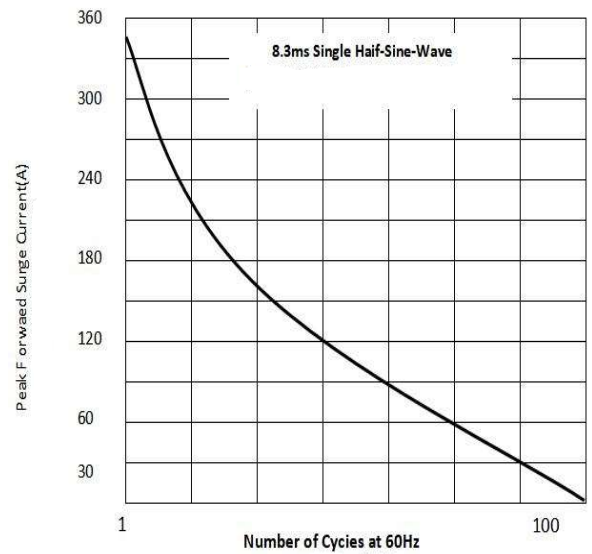


Fig.3-Typical Reverse Characteristics

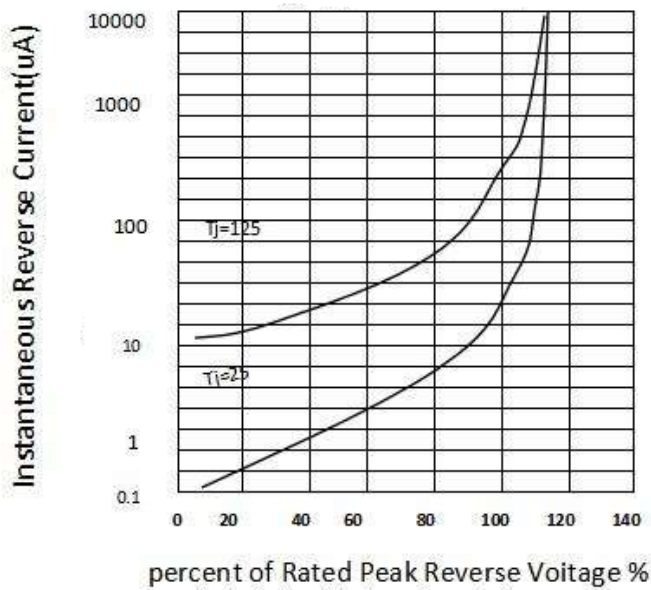
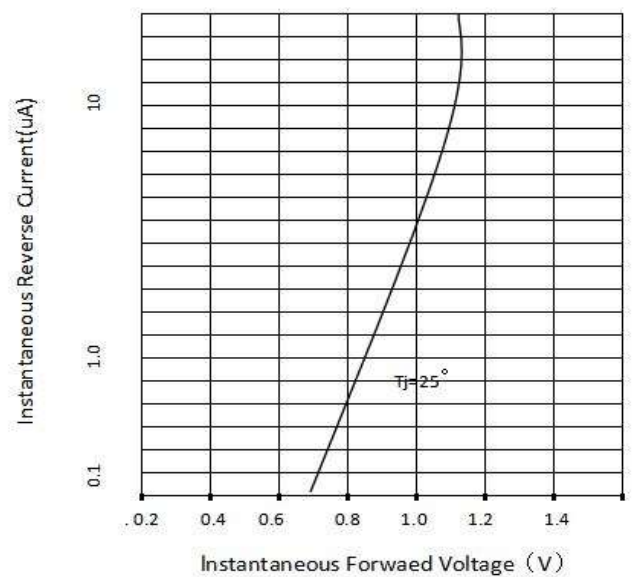
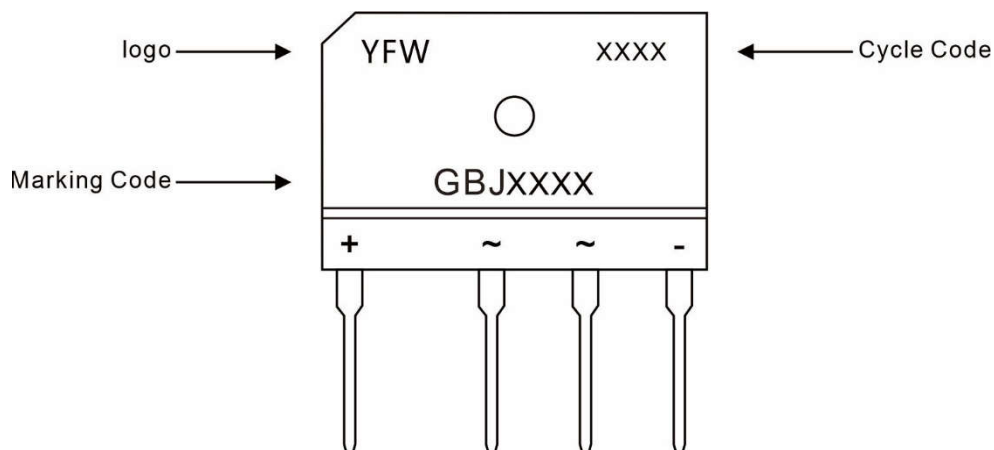


Fig.4-Typical Forward Characteristics



Marking Diagram



Ordering information

Package	Packing Description	Packing Quantity
GBJ	bulk	250PCS/Box 2000PCS/Carton

Package Dimensions

GBJ

Dim.	Millimeter(mm)		Dimensions inInch	
	Min.	Max.	Min.	Max.
A	29.70	30.3	1.17	1.19
B	19.70	20.3	0.78	0.80
C	17.00	18.00	0.67	0.71
D	3.80	4.20	0.15	0.17
E	7.30	7.70	0.29	0.30
G	9.80	10.20	0.39	0.40
H	2.00	2.40	0.08	0.09
I	0.90	1.10	0.04	0.04
J	2.30	2.70	0.09	0.11
K	33.0×45°		1.30×45°	
L	4.40	4.80	0.17	0.19
M	3.40	3.80	0.13	0.15
N	3.10	3.40	0.12	0.13
P	2.50	2.90	0.10	0.11
R	0.60	0.80	0.02	0.03
S	10.80	11.20	0.43	0.44

Disclaimer

The information presented in this document is for reference only. Guangdong Youfeng Microelectronics Co.,Ltd. reserves the right to make changes without notice for the specification of the products displayed herein to improve reliability, function or design or otherwise. The product listed herein is designed to be used with ordinary electronic equipment or devices, and not designed to be used with equipment or devices which require high level of reliability and the malfunction of which would directly endanger human life (such as medical instruments, transportation equipment, aerospace machinery, nuclear-reactor controllers, fuel controllers and other safety devices), YFW or anyone on its behalf, assumes no responsibility or liability for any damages resulting from such improper use of sale. This publication supersedes & replaces all information previously supplied. For additional information, please visit our website <https://www.yfwdiode.com>, or consult YFW sales office for further assistance.