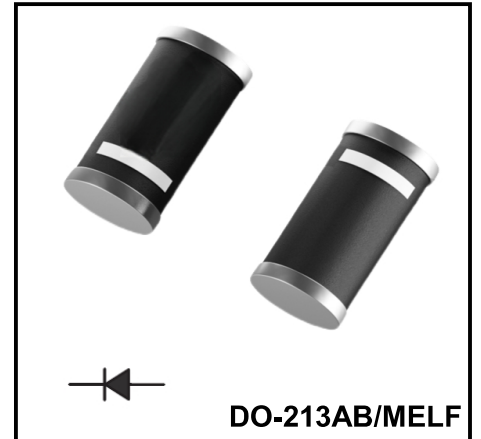


SURFACE MOUNT GLASS PASSIVATED FAST SWITCHING RECTIFIER

Reverse Voltage - 50 to 1000 V

Forward Current - 1.0 A



FEATURES

- ◆ Ideal for surface mounted applications.
- ◆ Low leakage current.
- ◆ Glass passivated chips.
- ◆ Fast switching.
- ◆ High temperature soldering guaranteed:
260°C/10 seconds

MECHANICAL DATA

- ◆ Case: Molded plastic use UL94V-0 recognized flame retardant epoxy.
- ◆ Terminals: Plated terminals, solderable per MIL-STD-202, method 208
- ◆ Polarity: Color band on body denotes cathode.
- ◆ Mounting position: Any
- ◆ Weight: 0.130 gram

Maximum Ratings And Electrical Characteristics

Ratings at 25°C ambient temperature unless otherwise specified. Single phase half-wave 60Hz, resistive or inductive load, for capacitive load current derate by 20%.

Parameter	Symbols	SA154	SA155	SA156	SA157	SA158	SA159	SA160	Units
Maximum Repetitive Peak Reverse Voltage	V_{RRM}	50	100	200	400	600	800	1000	V
Maximum RMS voltage	V_{RMS}	35	70	140	280	420	560	700	V
Maximum DC Blocking Voltage	V_{DC}	50	100	200	400	600	800	1000	V
Maximum Average Forward Rectified Current at $T_T=55^{\circ}C$	$I_{(AV)}$	1.0							A
Peak Forward Surge Current, 8.3ms Single Half Sine-wave Superimposed On Rated Load	I_{FSM}	30							A
Maximum Instantaneous Forward Voltage at 1.0 A	V_F	1.3							V
Maximum DC reverse current at rated DC blocking voltage $T_A = 25^{\circ}C$ $T_A = 125^{\circ}C$	I_R	5 100							u A
Maximum Reverse Recovery Time , Test	T_{rr}	150			250	300			nS
Typical junction capacitance	C_J	15							pF
Operating Junction Temperature Range	T_J	-55 ~ +125							°C
Storage Temperature Range	T_{stg}	-55 ~ +150							°C

Ratings And Characteristic Curves

FIG. 1 – DERATING CURVE FOR OUTPUT RECTIFIER CURRENT

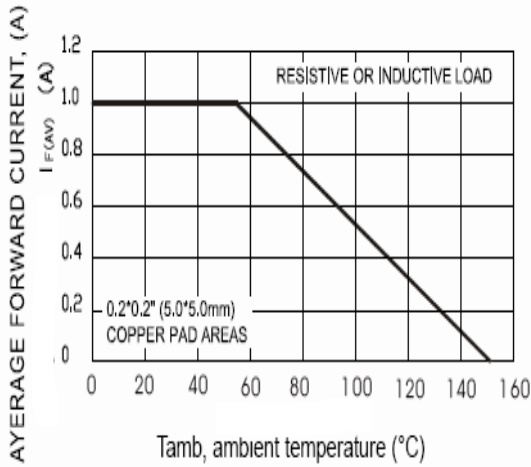


FIG. 2 – MAXIMUM NON – REPETITIVE PEAK FORWARD SURGE CURRENT

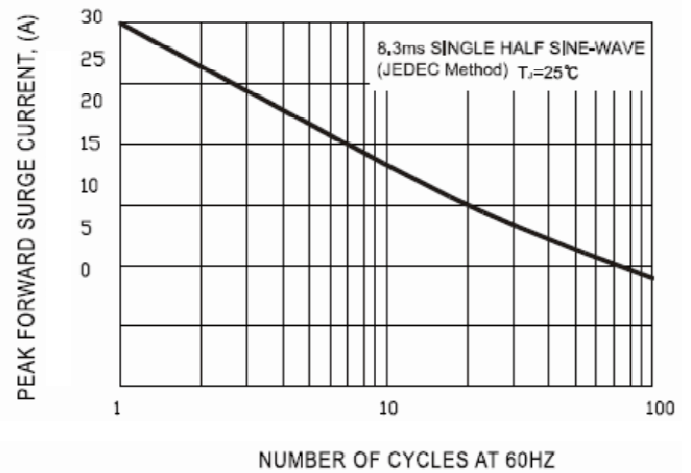


FIG. 3 – TYPICAL REVERSE CHARACTERISTICS

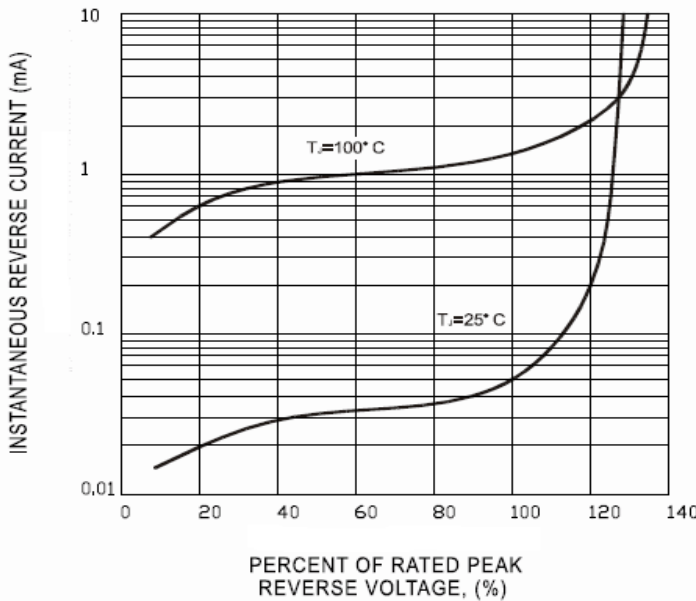


FIG. 4 – TYPICAL INSTANTANEOUS FORWARD CHARACTERISTICS

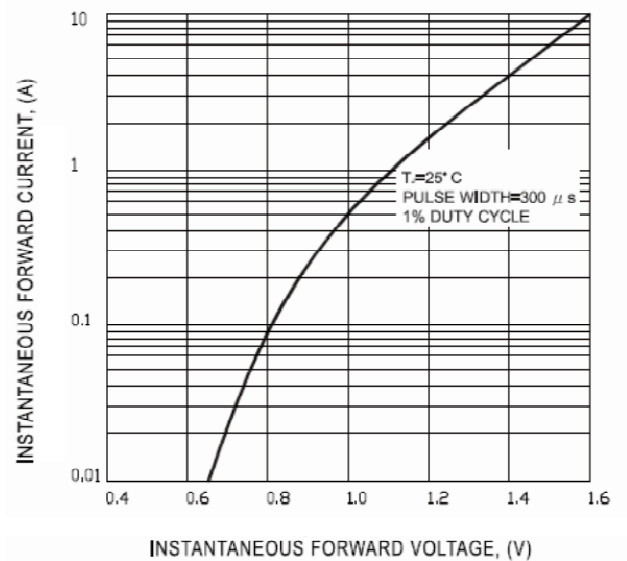
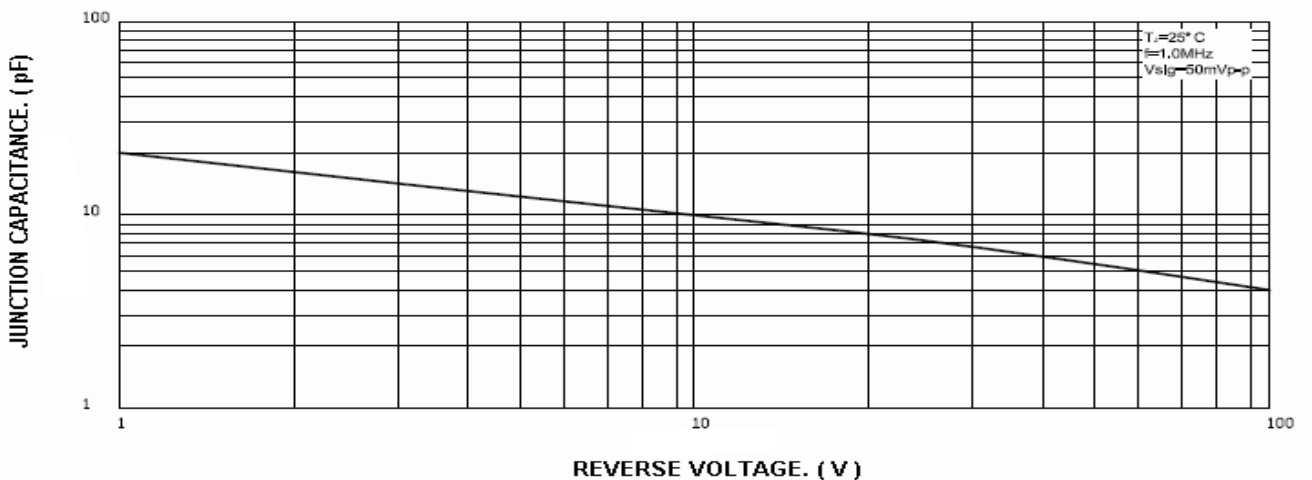


FIG. 5 – TYPICAL JUNCTION CAPACITANCE

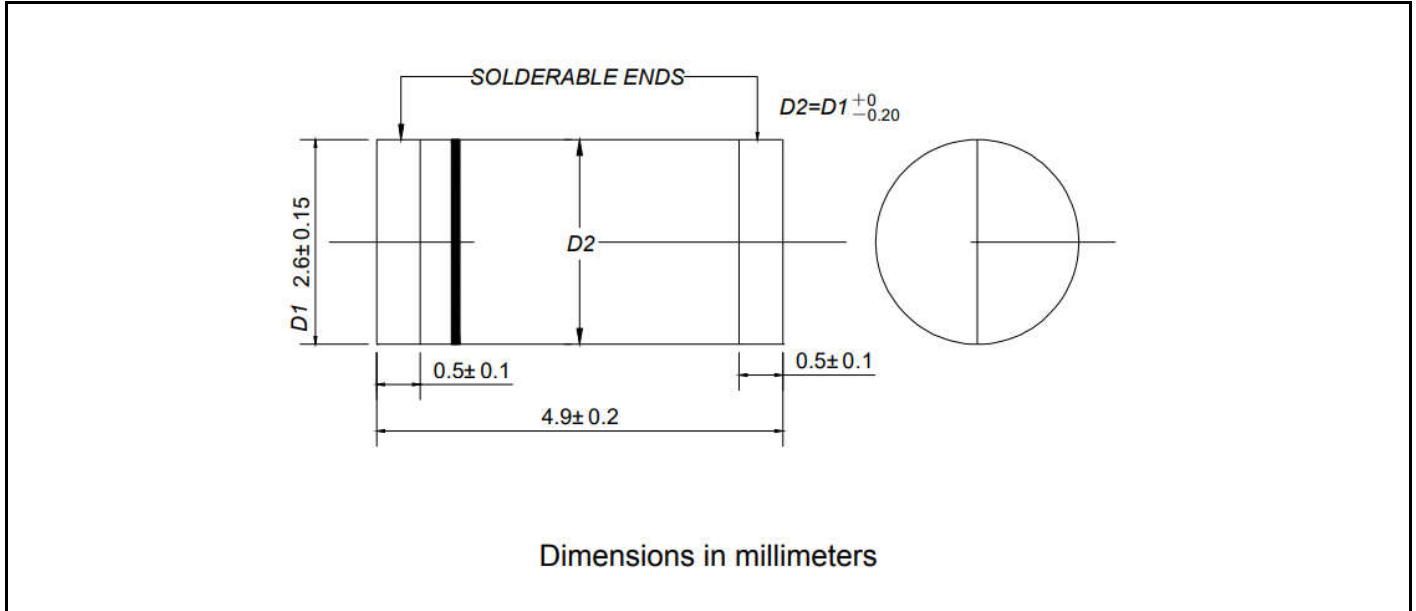


Ordering information

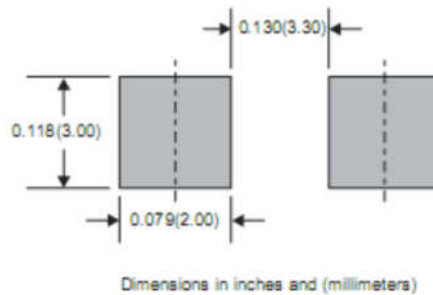
Package	Packing Description	Packing Quantity
DO-213AB(MELF)	Tape/Reel, 13"reel	5000PCS/Reel 50000PCS/Carton

Package Dimensions

DO-213AB(MELF)



The recommended mounting pad size



Disclaimer

The information presented in this document is for reference only. GuangDong Youfeng Microelectronics Co.,Ltd. reserves the right to make changes without notice for the specification of the products displayed herein to improve reliability, function or design or otherwise. The product listed herein is designed to be used with ordinary electronic equipment or devices, and not designed to be used with equipment or devices which require high level of reliability and the malfunction of with would directly endanger human life (such as medical instruments, transportation equipment, aerospace machinery, nuclear-reactor controllers, fuel controllers and other safety devices),YFW or anyone on its behalf, assumes no responsibility or liability for any damages resulting from such improper use of sale. This publication supersedes & replaces all information previously supplied. For additional information, please visit our website <https://www.yfwdiode.com>, or consult YFW sales office for further assistance.