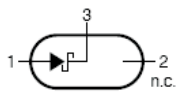
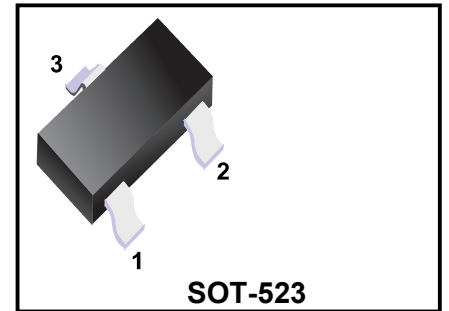


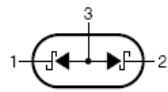
Schottky Diodes

FEATURES

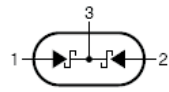
- Low forward voltage
- Guard ring protected
- Small plastic SMD package.



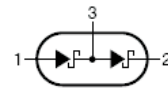
BAT54T



BAT54AT



BAT54CT



BAT54ST

Absolute Maximum Ratings (Ta=25°C)

| Parameter | Symbol | Rating | Unit |
|---|--------|-------------|------|
| Maximum Repetitive Reverse Voltage | VRRM | 30 | V |
| Average Rectified Forward Current | IF(AV) | 200 | mA |
| Non-repetitive Peak Forward Surge Current Pulse width = 1.0 second | IFSM | 600 | mA |
| Power Dissipation | PD | 150 | mW |
| Thermal Resistance, Junction to Ambient | RθJA | 667 | °C/W |
| Storage Temperature Range | Tstg | -55 to +125 | °C |
| Operating Junction Temperature | TJ | 125 | °C |

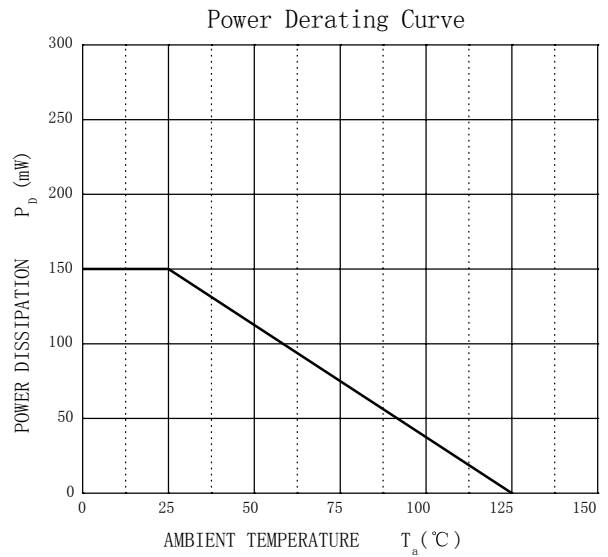
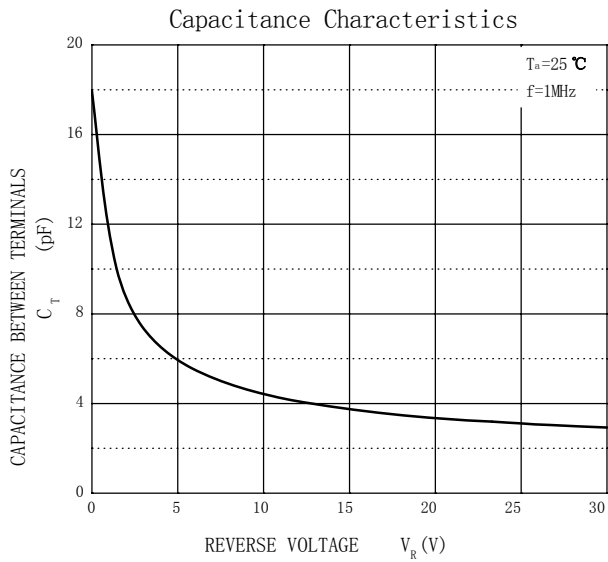
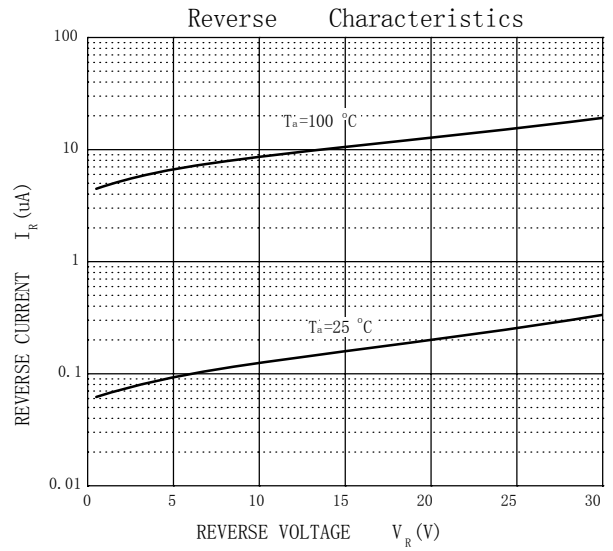
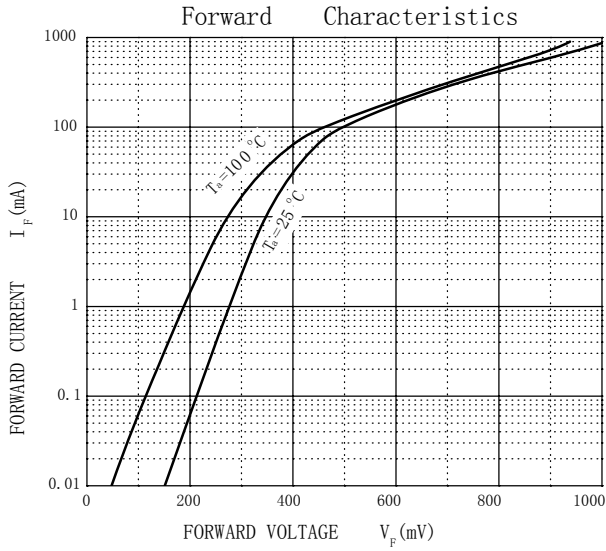
Characteristics at Tamb=25 °C

| Parameter | Symbol | Testconditions | Min | Typ | Max | Unit |
|-----------------------|--------|--|-----|-----|-----|------|
| Breakdown Voltage | VR | IR = 100 μA | 30 | | | V |
| Forward Voltage | VF | IF = 0.1 mA | | | 240 | mV |
| | | IF = 1 mA | | | 320 | mV |
| | | IF = 10 mA | | | 400 | mV |
| | | IF = 30 mA | | | 500 | mV |
| | | IF = 100 mA | | | 0.8 | V |
| Reverse Current | IR | VR = 25 V | | | 2 | μA |
| Total Capacitance | CT | VR = 1V, f = 1.0 MHz | | | 10 | pF |
| Reverse Recovery Time | trr | IF = IR = 10 mA, IRR = 1.0 mA, RL = 100Ω | | | 5 | ns |

Marking Code

| TYPE | BAT54T | BAT54AT | BAT54CT | BAT54ST |
|---------|--------|---------|---------|---------|
| Marking | L1 | L2 | L3 | L4 |

Typical Characteristics



Ordering information

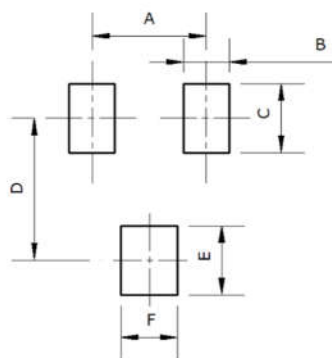
| Package | Packing Description | Base Quantity | Packing Quantity |
|---------|---------------------|---------------|-------------------------------|
| SOT-523 | Tape/Reel,7"reel | 3000pcs/Reel | 24000PCS/Box 120000PCS/Carton |

Package Dimensions

SOT-523

| Dim. | Millimeter (mm) | | mil | |
|------|-----------------|------|----------|------|
| | Min. | Max. | Min. | Max. |
| A | 1.50 | 1.70 | 59 | 67 |
| B | 0.75 | 0.85 | 30 | 33 |
| C | 1.45 | 1.75 | 57 | 69 |
| D | 0.50TYP | | 0.020TYP | |
| E | 0.90 | 1.10 | 35 | 43 |
| G | 0.00 | 0.10 | 0 | 4 |
| H | 0.60 | 0.80 | 24 | 31 |
| J | 0.10 | 0.20 | 4 | 8 |
| K | 0.15 | 0.35 | 6 | 14 |
| L | 0.26 | 0.46 | 10 | 18 |

The recommended mounting pad size



| Millimeter (mm) | |
|-----------------|------|
| Dim. | TYP |
| A | 1.00 |
| B | 0.40 |
| C | 0.60 |
| D | 1.24 |
| E | 0.60 |
| F | 0.50 |

Disclaimer

The information presented in this document is for reference only. Guangdong Youfeng Microelectronics Co.,Ltd. reserves the right to make changes without notice for the specification of the products displayed herein to improve reliability, function or design or otherwise. The product listed herein is designed to be used with ordinary electronic equipment or devices, and not designed to be used with equipment or devices which require high level of reliability and the malfunction of which would directly endanger human life (such as medical instruments, transportation equipment, aerospace machinery, nuclear-reactor controllers, fuel controllers and other safety devices), YFW or anyone on its behalf, assumes no responsibility or liability for any damages resulting from such improper use of sale. This publication supersedes & replaces all information previously supplied. For additional information, please visit our website <https://www.yfwdiode.com>, or consult YFW sales office for further assistance.