

Schottky Barrier Rectifiers
Reverse Voltage - 200V
Forward Current - 80A
Features

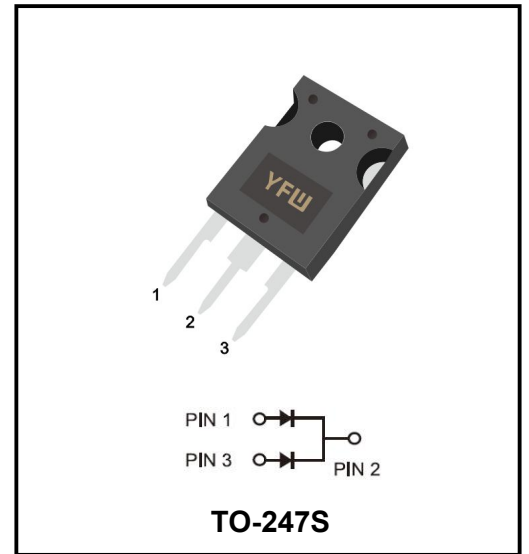
- ◆ The plastic package carries Underwriters Laboratory Flammability Classification 94V-0
- ◆ Construction utilizes void-free molded plastic technique
- ◆ Low reverse leakage
- ◆ High forward surge current capability
- ◆ High temperature soldering guaranteed
260°C/10 seconds at terminals

Mechanical Data

- ◆ Case :Molded plastic body
- ◆ Terminals : Solder plated, solderable per MIL-STD-750,Method 2026
- ◆ Polarity : Polarity symbol marking on body
- ◆ Mounting Position : Any

Primary Characteristic

I_o	2*40A
V_{RRM}	200V
I_{FSM}	400A
V_F	0.95V
T_J Max	175°C


Maximum Ratings (Per Leg) at Ta=25°C unless otherwise specified

Parameter	Symbols	Value	Units
Maximum Repetitive Peak Reverse Voltage	V_{RRM}	200	V
Maximum RMS voltage	V_{RMS}	140	V
Maximum DC Blocking Voltage	V_{DC}	200	V
Maximum average forward rectified current at TC=120°C	Per device	80	A
	Per diode	40	
Peak Forward Surge Current, 8.3ms Single Half Sine-wave	I_{FSM}	400	A
Operating Temperature Range	T_J	-55 to +175	°C
Storage Temperature Range	T_{STG}	-55 to +150	°C
Typical Thermal Resistance	R_{θJC}	1.5	°C/W

Electrical Characteristics (Per Leg) unless otherwise specified

Characteristics	Symbols	Typ	Max	Units
Maximum instantaneous forward voltage per diode at 40.0A	V_F	0.95	1.0	V
Maximum DC reverse current at rated DC blocking voltage	I_R	T _A =25°C	50	uA
		T _A =100°C	20	mA

RATINGS AND CHARACTERISTIC CURVES

FIG. 1- DERATING CURVE OUTPUT RECTIFIED CURRENT

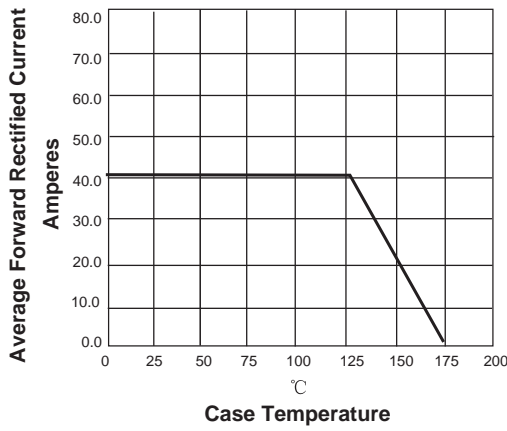


FIG. 2-MAXIMUM NON-REPETITIVE PEAK FORWARD SURGE CURRENT PER LEG

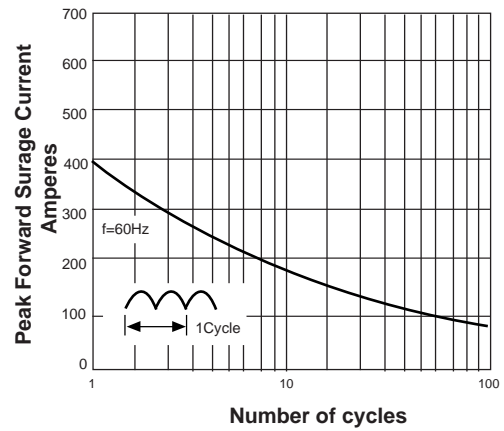


FIG. 3-TYPICAL FORWARD VOLTAGE CHARACTERISTICS

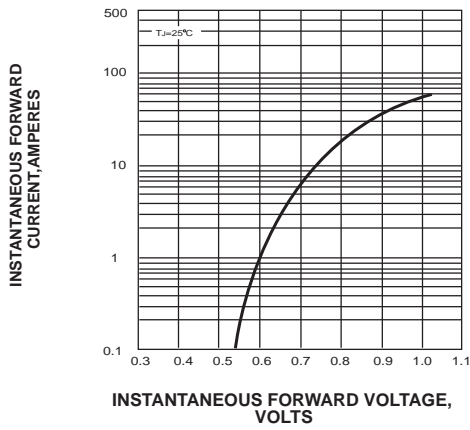
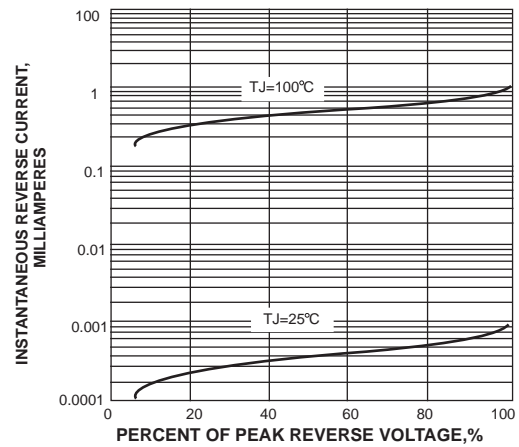
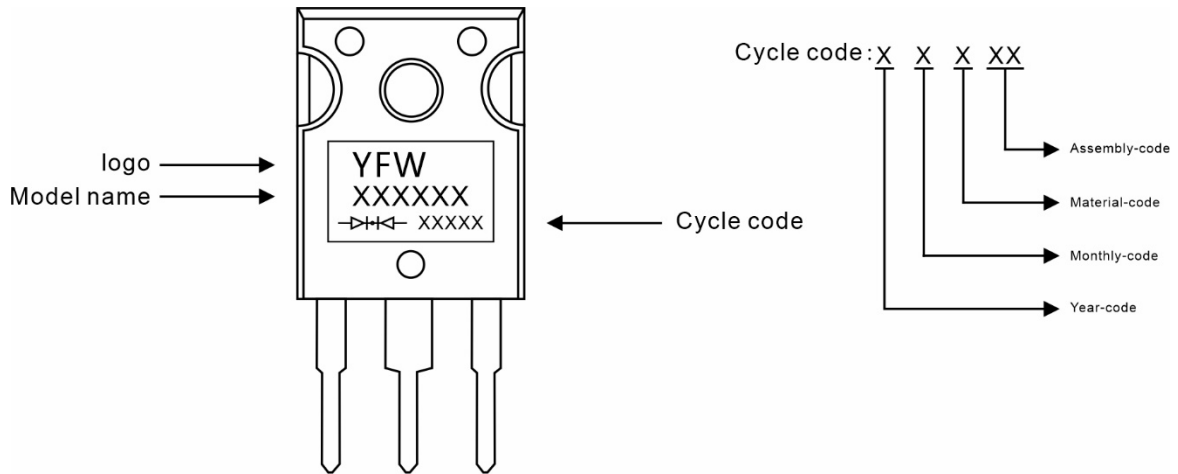


FIG. 4-TYPICAL REVERSE LEAKAGE CHARACTERISTICS



Marking Diagram

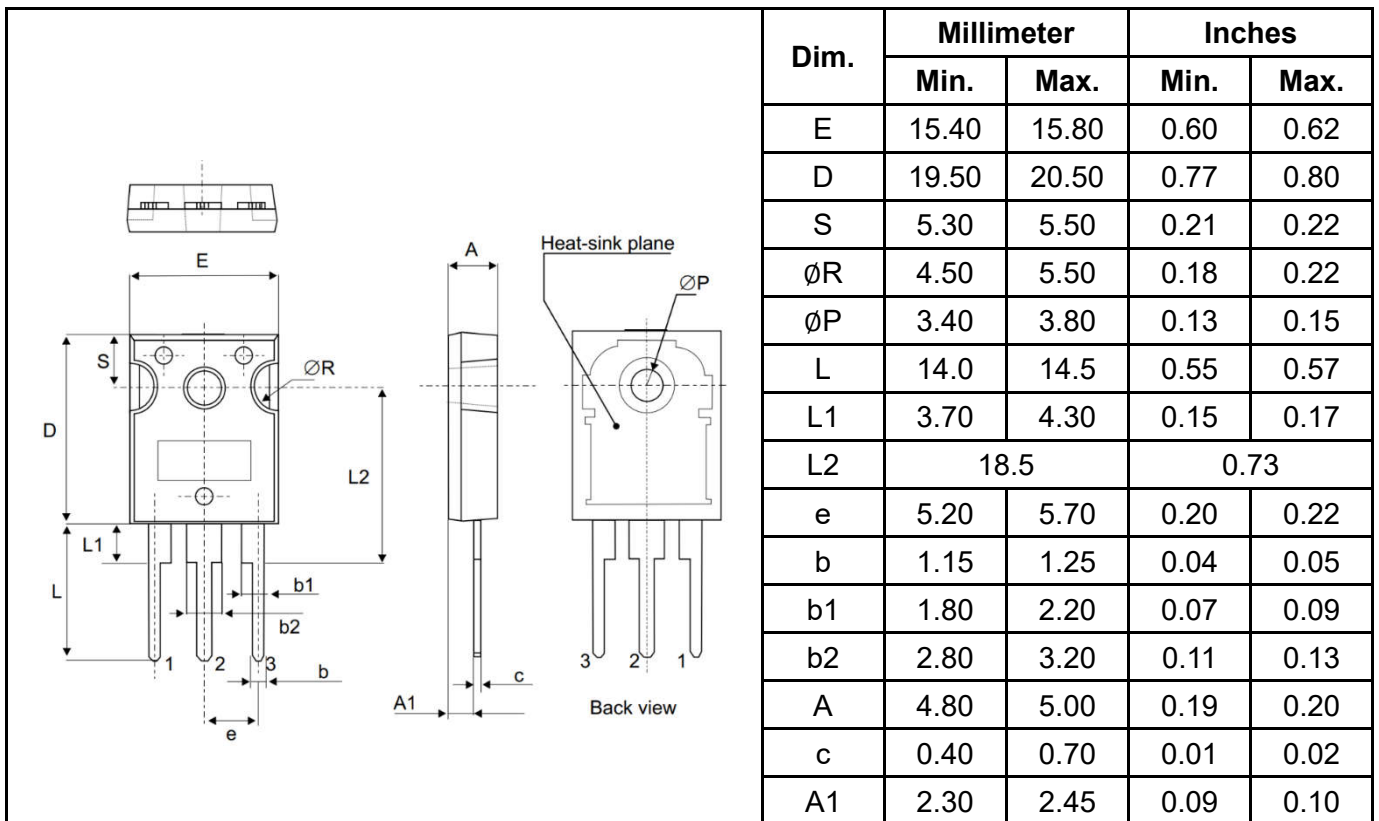


Ordering information

Model name	Package	Unit Weight	Base Quantity	Packing Quantity
MBR80200PTS	TO-247S	0.158oz(4.48g)	30pcs/tube	600PCS/Box 2400PCS/Carton

Package Dimensions

TO-247S



Disclaimer

The information presented in this document is for reference only. Guangdong Youfeng Microelectronics Co.,Ltd. reserves the right to make changes without notice for the specification of the products displayed herein to improve reliability, function or design or otherwise. The product listed herein is designed to be used with ordinary electronic equipment or devices, and not designed to be used with equipment or devices which require high level of reliability and the malfunction of which would directly endanger human life (such as medical instruments, transportation equipment, aerospace machinery, nuclear-reactor controllers, fuel controllers and other safety devices), YFW or anyone on its behalf, assumes no responsibility or liability for any damages resulting from such improper use of sale. This publication supersedes & replaces all information previously supplied. For additional information, please visit our website <https://www.yfwdiode.com>, or consult YFW sales office for further assistance.