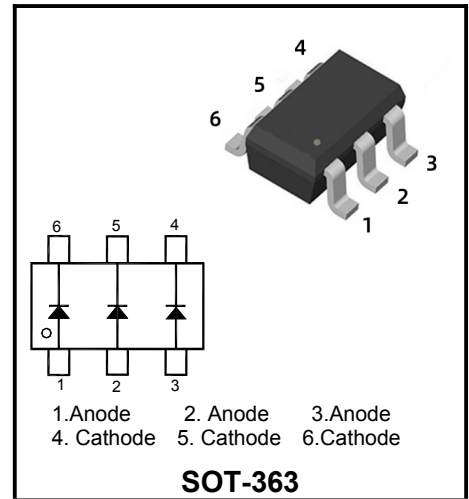


**Silicon Epitaxial Planar Switching Diode**

**FEATURES**

- Fast switching speed
- Ultra-small surface mount package
- For general purpose switching applications
- High conductance

Marking Code	
BAS16DW	KA2



**MAXIMUM RATINGS ( Ta=25°C unless otherwise noted )**

Parameter	Symbol	Value	Unit
Peak Reverse Voltage	$V_{RM}$	100	V
Reverse Voltage	$V_R$	75	V
Average Rectified Forward Current	$I_{F(AV)}$	200	mA
Forward Continuous Current	$I_{FM}$	300	mA
Non-Repetitive Peak Forward Current	$I_{FSM}$	2 1	A
	$t = 1 \mu s$ $t = 1 s$		
Power Dissipation	$P_{tot}$	200	mW
Thermal Resistance, Junction to Ambient	$R_{\theta JA}$	625	°C/W
Operating and Storage Temperature Range	$T_j, T_{stg}$	- 65 to + 150	°C

**ELECTRICAL CHARACTERISTICS (Ta=25 °C unless otherwise specified)**

Parameter	Symbol	Min.	Max.	Unit
Reverse Breakdown Voltage at $I_R = 100 \mu A$	$V_{(BR)R}$	75	-	V
Forward Voltage at $I_F = 1 mA$ at $I_F = 10 mA$ at $I_F = 50 mA$ at $I_F = 150 mA$	$V_F$	- - - -	0.715 0.855 1 1.25	V
Peak Reverse Current at $V_R = 20 V$ at $V_R = 75 V$ at $V_R = 25 V, T_j = 150^\circ C$ at $V_R = 75 V, T_j = 150^\circ C$	$I_R$	- - - -	25 1 30 50	nA $\mu A$ $\mu A$ $\mu A$
Total Capacitance at $V_R = 0 V, f = 1 MHz$	$C_T$	-	2	pF
Reverse Recovery Time at $I_F = I_R = 10 mA, I_{rr} = 0.1 \times I_R, R_L = 100 \Omega$	$t_{rr}$	-	4	ns

Typical Characteristics

Power Dissipation vs Ambient Temperature

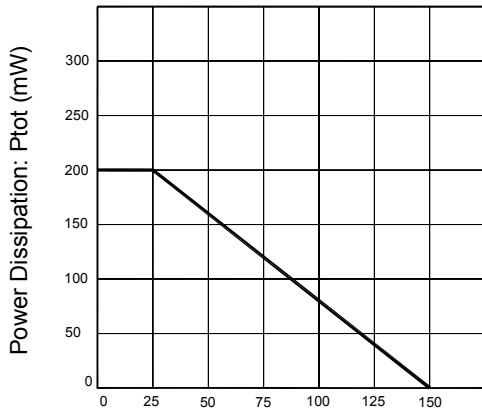


Fig.1 Ambient Temperature: Ta ( C )

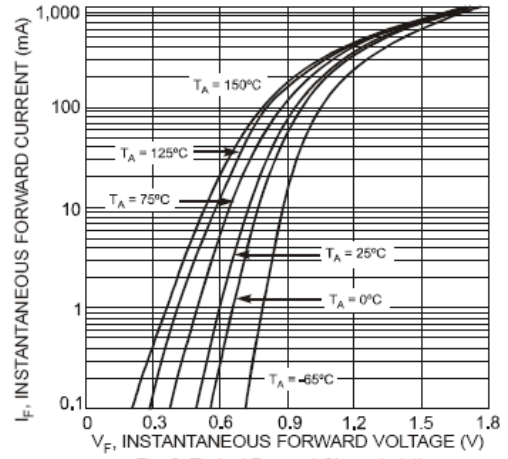


Fig. 2 Typical Forward Characteristics

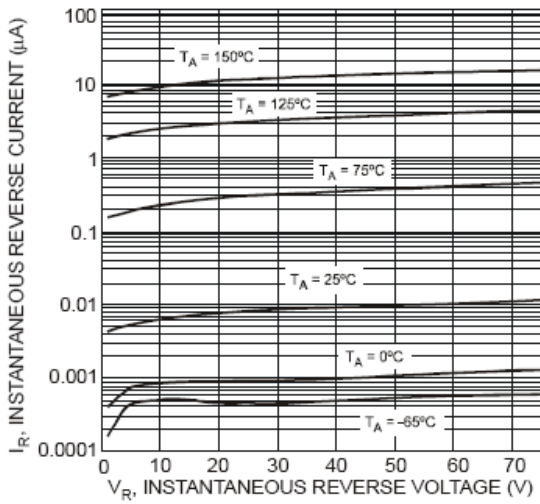


Fig. 3 Typical Reverse Characteristics

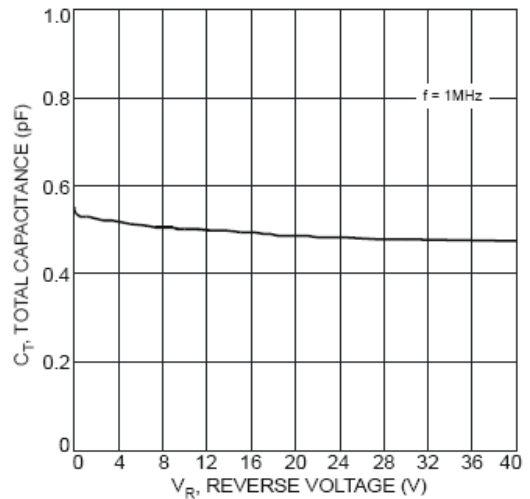


Fig. 4 Typical Total Capacitance

**Ordering information**

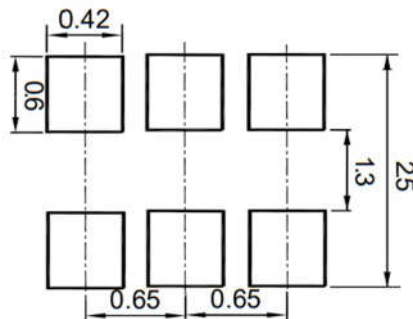
Package	Packing Description	Packing Quantity
SOT-363	Tape/Reel,7"reel	3000PCS/Reel 120000PCS/Carton

**Package Dimensions**

**SOT-363**

Dim.	Millimeter(mm)		mil	
	Min.	Max.	Min.	Max.
A	0.8	1.1	32	43
A1	-	0.1	-	3.94
bp	0.20	0.30	7.87	11.81
c	0.10	0.25	3.94	9.84
D	1.8	2.2	70.87	86.61
E	1.15	1.35	45.28	53.15
e	1.3		51.18	
e1	0.65		25.6	
HE	2.0	2.2	78.74	86.6
Lp	0.15	0.45	5.90	17.71
Q	0.15	0.25	5.90	9.84
v	0.2		7.78	
w	0.2		7.78	
y	0.1		3.94	

**The recommended mounting pad size**



## Disclaimer

The information presented in this document is for reference only. Guangdong Youfeng Microelectronics Co.,Ltd. reserves the right to make changes without notice for the specification of the products displayed herein to improve reliability, function or design or otherwise. The product listed herein is designed to be used with ordinary electronic equipment or devices, and not designed to be used with equipment or devices which require high level of reliability and the malfunction of which would directly endanger human life (such as medical instruments, transportation equipment, aerospace machinery, nuclear-reactor controllers, fuel controllers and other safety devices), YFW or anyone on its behalf, assumes no responsibility or liability for any damages resulting from such improper use of sale. This publication supersedes & replaces all information previously supplied. For additional information, please visit our website <https://www.yfwdiode.com>, or consult YFW sales office for further assistance.