

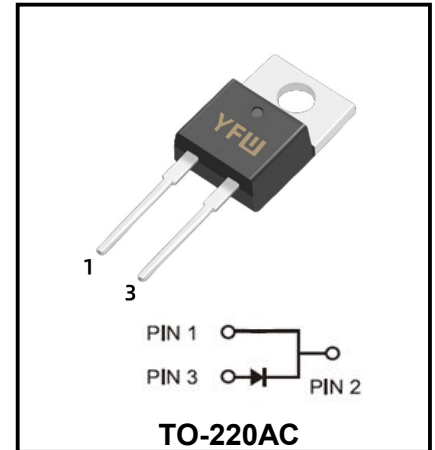
**Fast Recovery Epi Diodes**  
**Reverse Voltage -200 TO 600 V**  
**Forward Current - 20 A**

### Features

- ◆ High frequency operation
- ◆ High surge forward current capability
- ◆ High purity, high temperature epoxy encapsulation for enhanced mechanical strength and moisture resistance
- ◆ Guard ring for enhanced ruggedness and long term reliability
- ◆ Solder dip 275 °C max. 7s, per JESD 22-B106

### Mechanical Data

- ◆ Case: TO-220AC
- ◆ Terminals: Lead solderable per MIL-STD-202, Method 208
- ◆ Lead free finish, RoHS compliant
- ◆ Case Material: “Green” molding compound, UL flammability classification 94V-0, “Halogen-free”.



### Maximum Ratings (Per Leg) At Ta=25°C Unless Otherwise Specified

Parameter	Symbols	MUR2020AC	MUR2040AC	MUR2060AC	Units
Maximum Repetitive Peak Reverse Voltage	$V_{RRM}$	200	400	600	V
Maximum RMS voltage	$V_{RMS}$	140	280	420	V
Maximum DC Blocking Voltage	$V_{DC}$	200	400	600	V
Maximum Average Forward Rectified Current @Tc=100°C	$I_{F(AV)}$	20			A
Peak Forward Surge Current, 8.3ms Single Half Sine-wave Superimposed on Rated Load (JEDEC method)	$I_{FSM}$	250			A
Instantaneous forward voltage at 30A	$V_F$	1.0	1.3	1.6	V
Maximum instantaneous reverse current at rated DC blocking voltage	$I_R$	10 500			uA
Maximum Reverse Recovery Time NOTE 1	$t_{rr}$	35			nS
Maximum Thermal Resistance Junction To Case	$R_{\theta JC}$	4			°C/W
Operation Junction Temperature and Storage Temperature	$T_J, T_{STG}$	-55 ~ +150			°C

**Note1: Reverse recovery test conditions IF=0.5A, IR=1.0A, Irr=0.25A**

Fig.1 Typical Forward Current Derating Curve

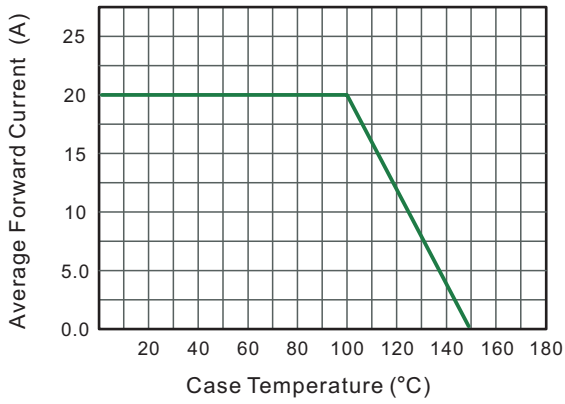


Fig.2 Typical Reverse Characteristics

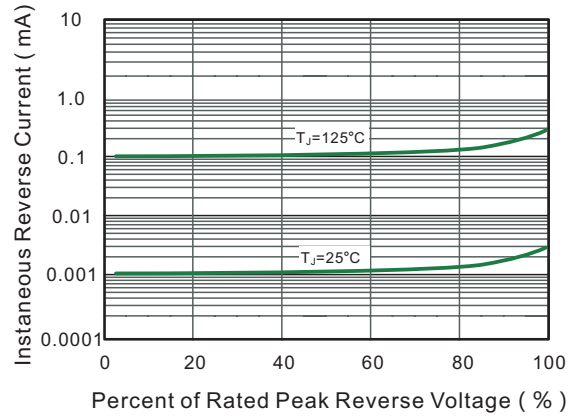


Fig.3 Typical Forward Characteristic

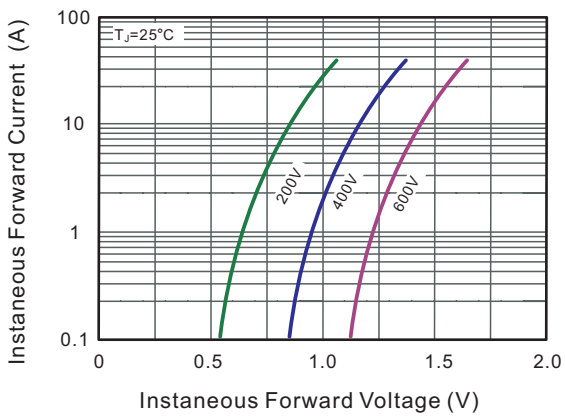
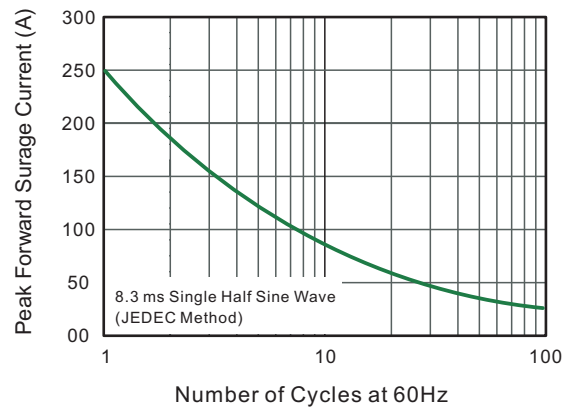
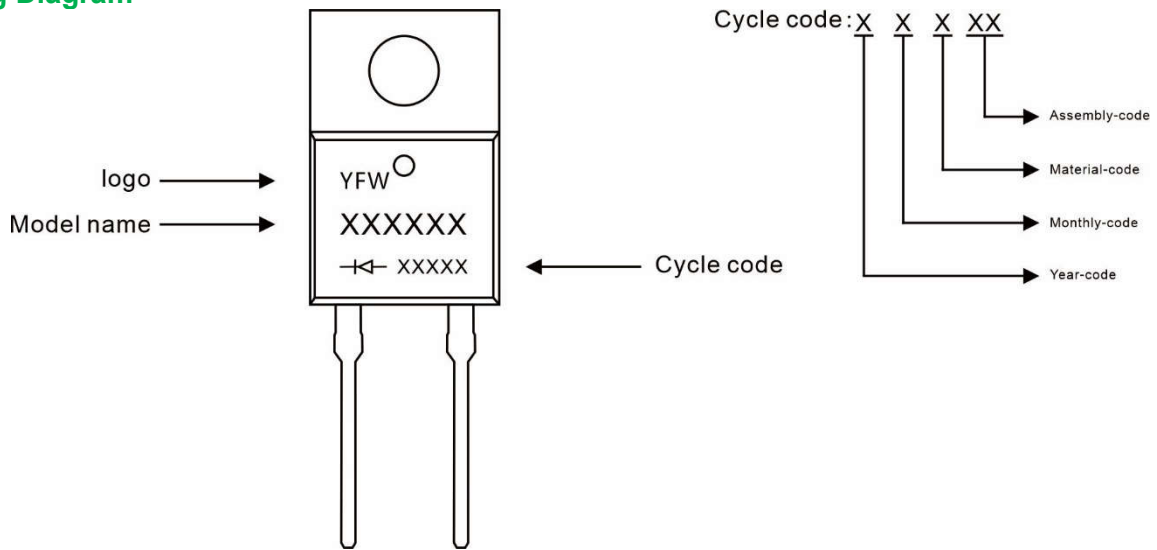


Fig.4 Maximum Non-Repetitive Peak Forward Surge Current



**Marking Diagram**



**Ordering information**

Model name	Package	Unit Weight	Base Quantity	Packing Quantity
MURXXXXAC	TO-220AC	0.067oz(1.9g)	50pcs/tube	1000PCS/Box 5000PCS/Carton

**Package Dimensions**

**TO-220AC**

Dim	Millimeter		Inches	
	Min.	Max.	Min.	Max.
A	4.34	4.67	0.171	0.184
A1	2.52	2.82	0.099	0.111
b	0.71	0.91	0.028	0.036
b1	1.17	1.37	0.046	0.054
c	0.30	0.50	0.012	0.020
c1	1.17	1.37	0.046	0.054
D	9.90	10.20	0.390	0.402
E	8.50	8.90	0.335	0.350
E1	12.00	12.50	0.472	0.492
e	2.44	2.64	0.096	0.104
e1	4.88	5.28	0.192	0.208
F	2.60	2.80	0.102	0.110
L	13.20	13.80	0.520	0.543
L1	3.80	4.20	0.150	0.165
Φ	3.60	3.96	0.142	0.156

## Disclaimer

The information presented in this document is for reference only. GuangDong Youfeng Microelectronics Co.,Ltd. reserves the right to make changes without notice for the specification of the products displayed herein to improve reliability, function or design or otherwise. The product listed herein is designed to be used with ordinary electronic equipment or devices, and not designed to be used with equipment or devices which require high level of reliability and the malfunction of with would directly endanger human life (such as medical instruments, transportation equipment, aerospace machinery, nuclear-reactor controllers, fuel controllers and other safety devices),YFW or anyone on its behalf, assumes no responsibility or liability for any damages resulting from such improper use of sale. This publication supersedes & replaces all information previously supplied. For additional information, please visit our website <https://www.yfwdiode.com>, or consult YFW sales office for further assistance.