

0.8A 4QPlastic-Encapsulate Triacs

Product Summary

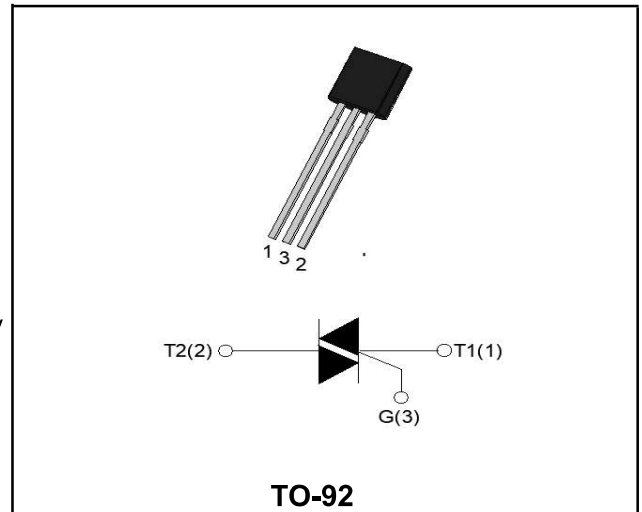
Symbol	Value	Unit
$I_{T(RMS)}$	0.8	A
$V_{DRM} V_{RRM}$	400/600	V
V_{TM}	1.9	V

General Description

Logic level sensitive gate triac intended to be interfaced directly to microcontrollers, logic integrated circuits and other low power gate trigger circuits.

Features

- ◆ Blocking voltage to 600V (MAC97A8G)
- ◆ RMS on-state current to 0.8A
- ◆ Sensitive gate in all four quadrants



Absolute maximum ratings (Ta=25°C unless otherwise noted)

Parameter		Symbol	Value	Unit
Repetitive peak off-state voltages	MAC97A6G	V_{DRM}, V_{RRM}	400	V
	MAC97A8G		600	
On-State RMS Current		$I_{T(RMS)}$	0.8	A
Non-repetitive peak on-state current	t=20ms	I_{TSM}	8.0	A
	t=16.7ms		8.8	
I^2t for fusing (t=10ms)		I^2t	0.26	A ² s
Peak gate current [t=2μs (max)]	I_{GM}		1.0	A
Peak Gate Voltage [t=2μs (max)]	V_{GM}		5.0	V
Peak gate power	P_{GM}		5.0	W
Average Gate Power [Tcase=80°C, t=2us (max)]	$P_{G(AV)}$		0.1	W
Operating junction temperature	T_j		-40~110	°C
Storage Temperature	T_{stg}		-40~150	°C

Note: Absolute maximum ratings are those values beyond which the device could be permanently damaged. Absolute maximum ratings are stress ratings only and functional device operation is not implied.

Thermal Characteristics

Parameter	Symbol	Max	Unit
Thermal Resistance, Junction-to-Case	$R_{\theta JC}$	75	$^{\circ}\text{C}/\text{W}$
Thermal Resistance, Junction-to-Ambient	$R_{\theta JA}$	200	$^{\circ}\text{C}/\text{W}$
Maximum Lead Temperature for Soldering Purposes for 10 Seconds	T_L	260	$^{\circ}\text{C}$

Electrical Characteristics (TC=25°C, unless otherwise noted)

Parameter	Symbol	Test Conditions	Min	Typ	Max	Unit
Peak Repetitive Blocking Current	I_{DRM}, I_{RRM}	$V_D = \text{Rated } V_{DRM}, V_{RRM}$ Gate open			10 100	μA
Gate trigger current	I_{GT}	$V_D = 7\text{V}, R_L = 100\Omega$	T2+ G+	-	5	mA
			T2+ G-	-	5	
			T2- G-	-	5	
			T2- G+	-	7	
Gate trigger voltage	V_{GT}	$V_D = 7\text{V}, R_L = 100\Omega$	T2+ G+	-	2	mA
			T2+ G-	-	2	
			T2- G-	-	2	
			T2- G+	-	2.5	
Holding current	I_H	$V_D = 12\text{V}$, Gate Open Initiating Current = 200 mA,	-		10	mA
On-state voltage*	V_{TM}	$I_T = 1.85\text{A}$	-		1.9	V
Turn-On Time	t_{gt}	$V_D = \text{Rated } V_{DRM}$, $I_{TM} = 1.0\text{A}, I_G = 25\text{mA}$		2.0		μs

* Pulse Test: Pulse Width $\leq 1.0\text{ ms}$, Duty Cycle $\leq 1\%$.

Dynamic Characteristics

Parameter	Symbol	Test Conditions	Min	Typ	Max	Unit
Critical Rate-of-Rise of Commutation Voltage	$dV/dt(c)$	$V_D = \text{Rated } V_{DRM}$, $I_{TM} = 0.84\text{A}$, Commutating $di/dt = 0.3\text{ A/ms}$, Gate Unenergized, $T_C = 50^{\circ}\text{C}$		5.0		$\text{V}/\mu\text{s}$
Critical Rate of Rise of Off-State Voltage	dV/dt	$V_D = \text{Rated } V_{DRM}$, $T_C = 110^{\circ}\text{C}$ Gate Open, Exponential Waveform		25		$\text{V}/\mu\text{s}$

Typical Characteristics

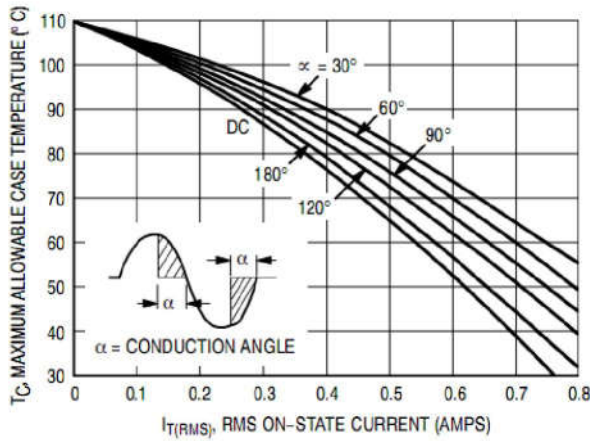


Figure 1. RMS Current Derating

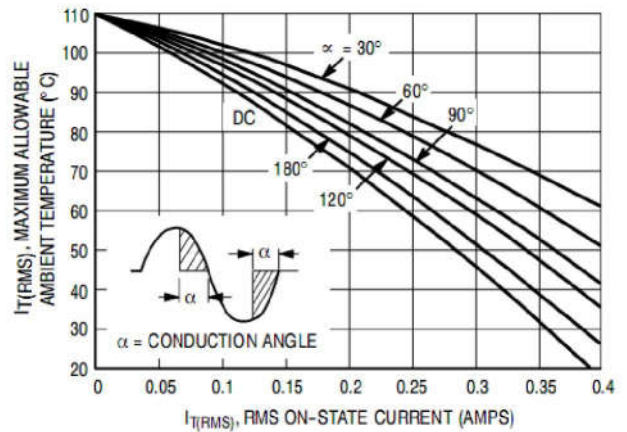


Figure 2. RMS Current Derating

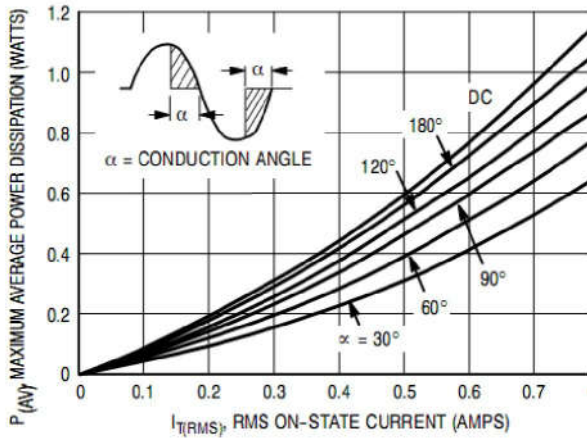


Figure 3. Power Dissipation

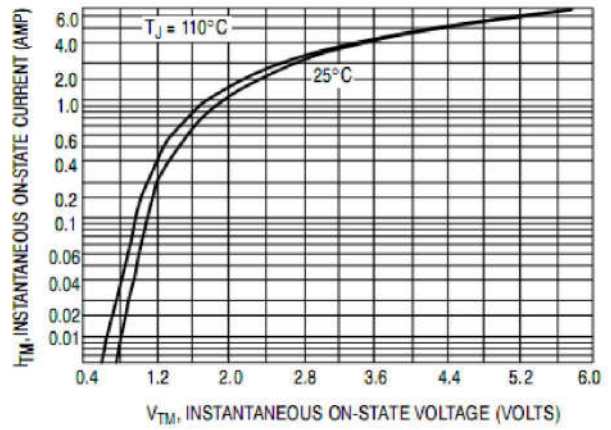


Figure 4. On-State Characteristics

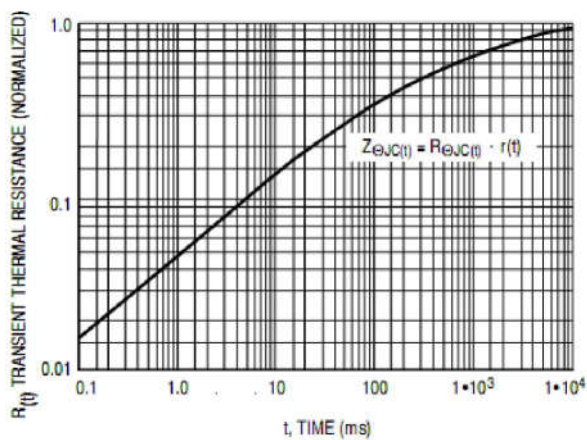


Figure 5. Transient Thermal Response

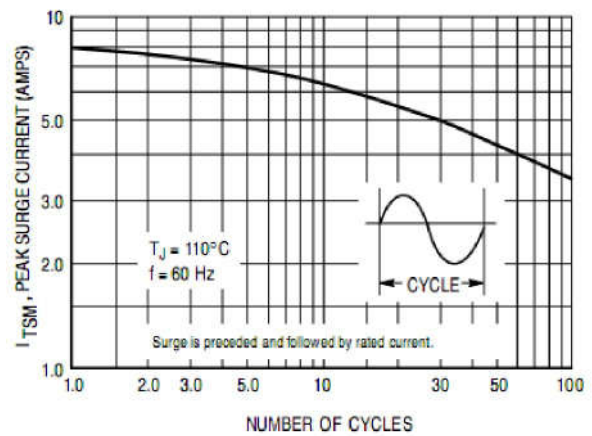


Figure 6. Maximum Allowable Surge Current

Typical Characteristics

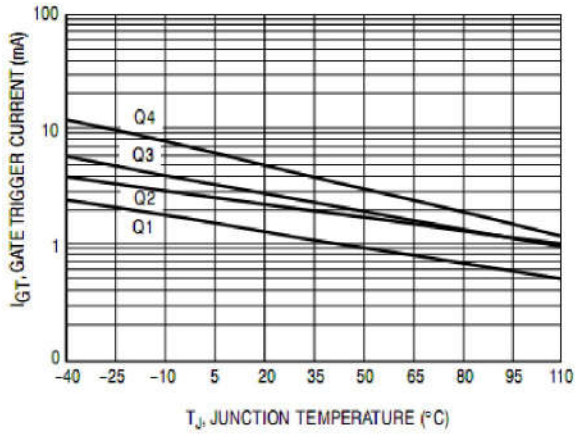


Figure 7. Typical Gate Trigger Current versus Junction Temperature

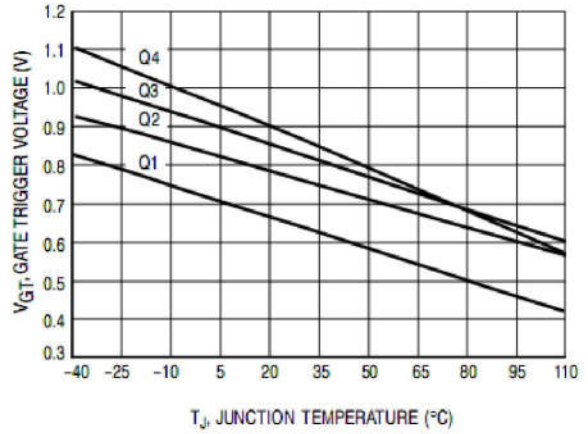


Figure 8. Typical Gate Trigger Voltage versus Junction Temperature

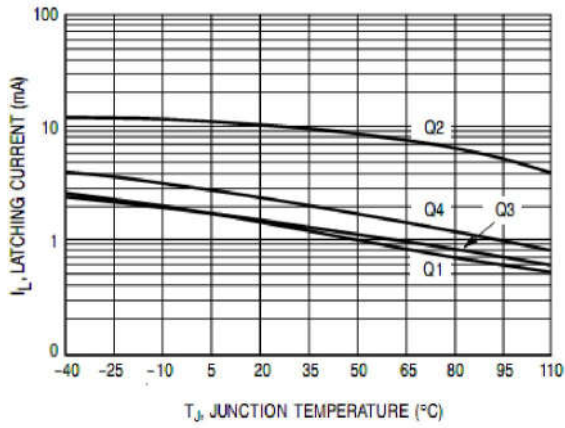


Figure 9. Typical Latching Current versus Junction Temperature

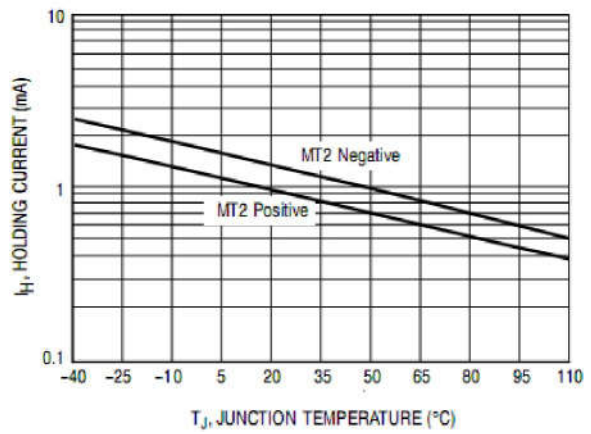


Figure 10. Typical Holding Current versus Junction Temperature

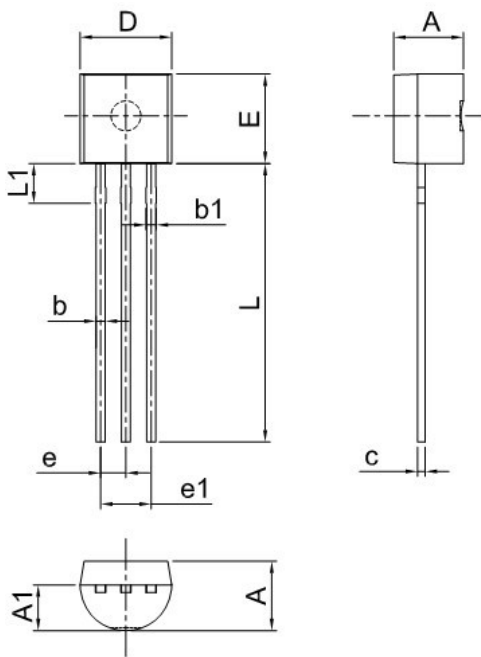
Ordering information

Package	Packing Description	Base Quantity
TO-92	Bulk	1000pcs/Bag
	Tape	2000pcs/Box

Package Dimensions

TO-92

Dim	Millimeter		Inches	
	Min.	Max.	Min.	Max.
A	3.30	3.70	0.130	0.146
A1	2.30	2.70	0.091	0.106
b	0.40	0.50	0.016	0.020
b1	0.50	0.70	0.020	0.028
c	0.35	0.45	0.014	0.018
D	4.45	4.70	0.175	0.185
E	4.40	4.65	0.173	0.183
e	1.17	1.37	0.046	0.054
e1	2.34	2.64	0.092	0.104
L	13.50	14.50	0.531	0.571
L1	1.80	2.20	0.071	0.087



Disclaimer

The information presented in this document is for reference only. GuangDong Youfeng Microelectronics Co.,Ltd. reserves the right to make changes without notice for the specification of the products displayed herein to improve reliability, function or design or otherwise. The product listed herein is designed to be used with ordinary electronic equipment or devices, and not designed to be used with equipment or devices which require high level of reliability and the malfunction of which would directly endanger human life (such as medical instruments, transportation equipment, aerospace machinery, nuclear-reactor controllers, fuel controllers and other safety devices), YFW or anyone on its behalf, assumes no responsibility or liability for any damages resulting from such improper use of sale. This publication supersedes & replaces all information previously supplied. For additional information, please visit our website <https://www.yfwdiode.com>, or consult YFW sales office for further assistance.