

Fast Recovery Recers

Reverse Voltage - 400 to 1600 V

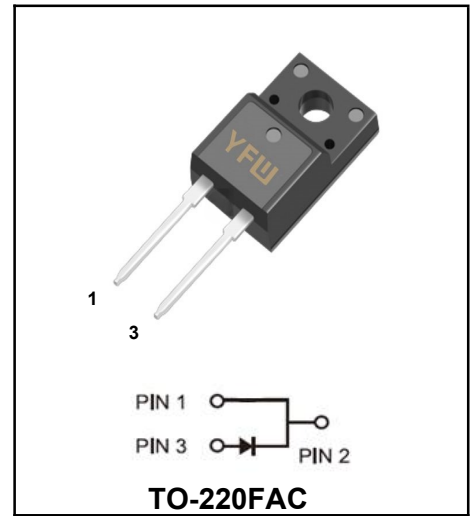
Forward Current - 15A

FEATURES

- ◆Glass passivated chip junctions
- ◆Low reverse current operation
- ◆High Junction Temperature
- ◆Fast recovery time for switching
- ◆High Forward Surge Capability
- ◆Lead free in compliance with EU RoHS2011/65/EU directive

MECHANICAL DATA

- ◆Circuit figure: Single positive
- ◆Leads: Solderable per mil-std-202, Method 208
- ◆Polarity: as marked
- ◆Mounting torque: 5 in-lbs maximum
- ◆Terminals: Pure tin plated



MAXIMUM RATINGS AND ELECTRICAL CHARACTERISTICS (TA=25°C)

ATINGS	SYMBOL	FR 1540DAF	FR 1560DAF	FR 1580DAF	FR 15100DAF	FR 15120DAF	FR 15140DAF	FR 15160DAF	UNIT
Maximum repetitive reverse voltage	V_{RRM}	400	600	800	1000	1200	1400	1600	V
Maximum RMS voltage	V_{RMS}	280	420	560	700	840	980	1120	V
Maximum DC blocking voltage	V_{DC}	400	600	800	1000	1200	1400	1600	V
Maximum average forward current	I_{AV}	15							A
Peak forward surge current, 8.3ms single half sine-wave superimposed on rated load	I_{FSM}	200							A
Typical thermal resistance per diode (Note 1)	$R_{\theta JC}$	4.0							°C/W
Operating junction temperature range	T_J	-55 to +150							°C
Storage temperature range	T_{STG}	-55 to +150							°C

CHARACTERISTICS

Maximum forward voltage per leg at 15A	V_F	1.2							V
Maximum average reverse current at rated DC blocking voltage $T_J=25^\circ\text{C}$ $T_J=125^\circ\text{C}$	I_R	5 250							μA
Maximum reverse recovery time (Note 2)	T_{RR}	150			250		350		nS

Notes: 1. Thermal resistance from junction to case.
2. Test conditions: $I_F=0.5\text{A}$, $I_R=1.0\text{A}$, $I_{RR}=0.25\text{A}$.

Ratings And Characteristic Curves

FIG. 1 - TYPICAL FORWARD CURRENT DERATING CURVE

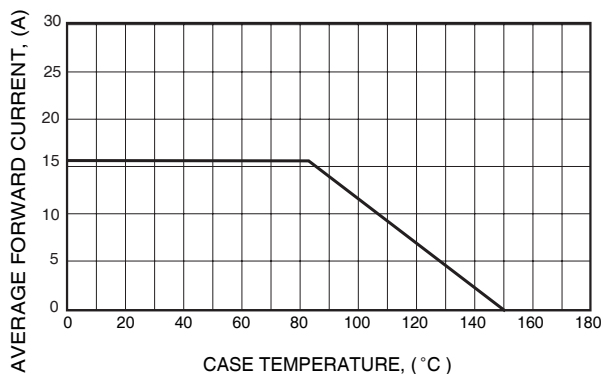


FIG. 3 - MAXIMUM NON-REPETITIVE FORWARD SURGE CURRENT

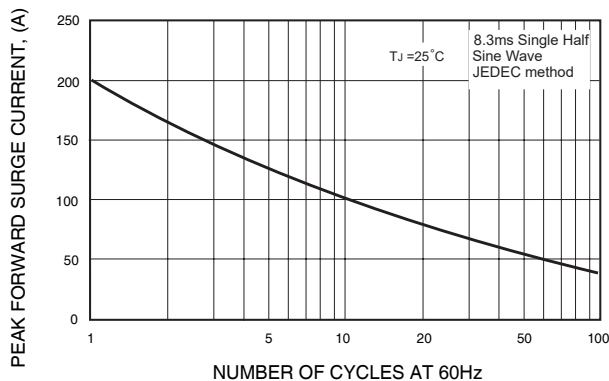


FIG. 4 - TYPICAL REVERSE CHARACTERISTICS

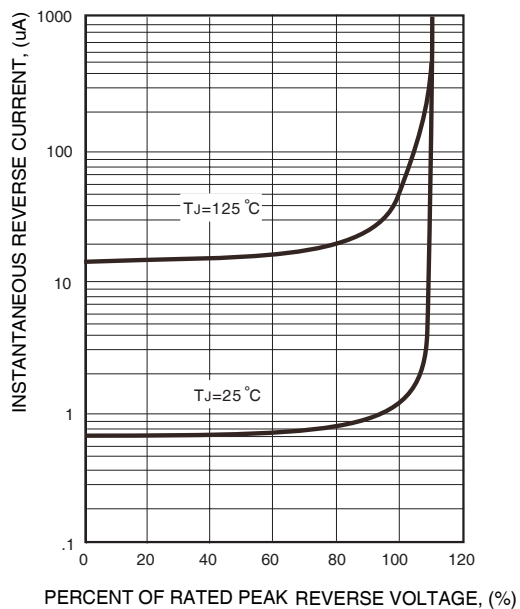
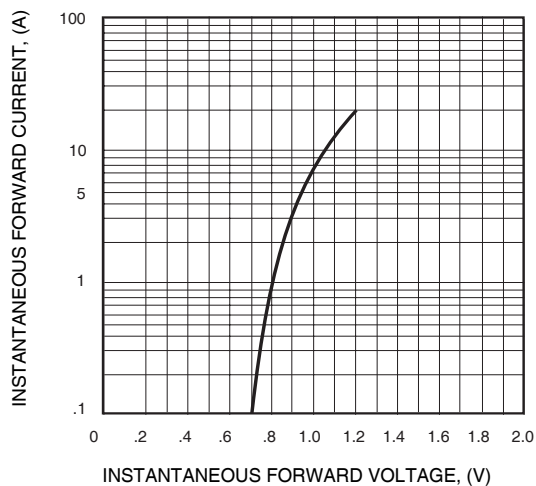
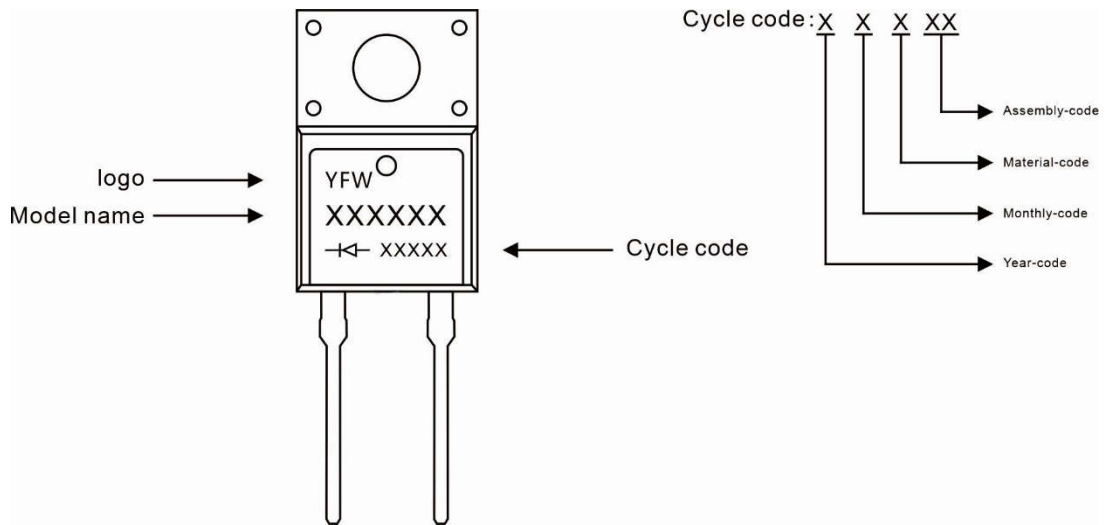


FIG. 2 - TYPICAL INSTANTANEOUS FORWARD CHARACTERISTICS



Marking Diagram



Ordering information

Model name	Package	Unit Weight	Base Quantity	Packing Quantity
FRXXXXDAF	TO-220FAC	0.06oz(1.7g)	50pcs/tube	1000PCS/Box 5000PCS/Carton

Package Dimensions

TO-220FAC

Symbol	Millimeter		Inches	
	Min.	Max.	Min.	Max.
A	4.50	4.90	0.177	0.193
A1	2.34	2.74	0.092	0.108
A2	2.66	2.86	0.105	0.113
b	0.75	0.85	0.030	0.033
b1	1.24	1.44	0.049	0.057
c	0.40	0.60	0.016	0.024
D	10.00	10.32	0.394	0.406
E	15.75	16.05	0.620	0.632
e	4.88	5.28	0.192	0.208
F	3.10	3.5	0.122	0.138
L	12.90	13.50	0.508	0.531
L1	2.90	3.30	0.114	0.130
Φ	3.10	3.30	0.122	0.130

Disclaimer

The information presented in this document is for reference only. Guangdong Youfeng Microelectronics Co.,Ltd. reserves the right to make changes without notice for the specification of the products displayed herein to improve reliability, function or design or otherwise. The product listed herein is designed to be used with ordinary electronic equipment or devices, and not designed to be used with equipment or devices which require high level of reliability and the malfunction of which would directly endanger human life (such as medical instruments, transportation equipment, aerospace machinery, nuclear-reactor controllers, fuel controllers and other safety devices), YFW or anyone on its behalf, assumes no responsibility or liability for any damages resulting from such improper use of sale. This publication supersedes & replaces all information previously supplied. For additional information, please visit our website <https://www.yfwdiode.com>, or consult YFW sales office for further assistance.