

30V N-CHANNEL ENHANCEMENT MODE MOSFET

MAIN CHARACTERISTICS

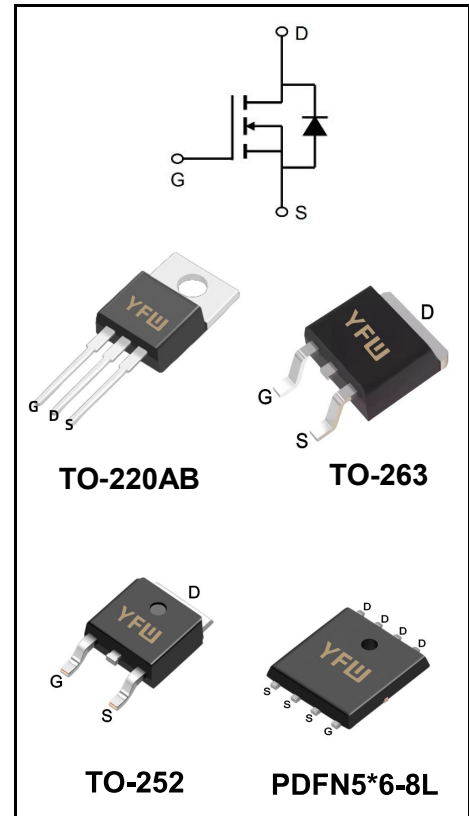
I_D		150A
V_{DSS}		30V
R_{DS(on)}- typ(@V_{GS} =10V)	TO-252/PDFN	< 2.3mΩ (Type:2.8 mΩ)
	TO-263	< 2.4mΩ (Type:2.8 mΩ)
	TO-220AB	< 2.6mΩ (Type:2.8 mΩ)

Application

- ◆ Battery protection
- ◆ Load switch
- ◆ Uninterruptible power supply

Mechanical Data

- ◆ Case: Molded plastic
- ◆ Mounting Position: Any
- ◆ Molded Plastic: UL Flammability Classification Rating 94V-0
- ◆ Solder bath temperature 275°C maximum, 10s per JESD22-106



Maximum Ratings at Tc=25°C unless otherwise specified

Characteristics	Symbols	Value	Units
		252/263/220AB/PDFN	
Drain-Source Voltage	V_{DS}	30	V
Gate-Source Voltage	V_{GS}	±20	V
Continue Drain Current	I_D	150	A
Pulsed Drain Current (Note1)	I_{DM}	600	A
Power Dissipation	P_D	110	W
Single Pulse Avalanche Energy (Note1)	E_{AS}	360	mJ
Operating Temperature Range	T_J	150	°C
Storage Temperature Range	T_{STG}	-55 to +175	°C
Thermal Resistance, Junction to Case	$R_{\theta JC}$	1.5	°C/W
Thermal Resistance, Junction to Ambient	$R_{\theta JA}$	62	°C/W

Note1:Pulse test: 300 μs pulse width, 2 % duty cycle

Maximum Ratings at Tc=25°C unless otherwise specified

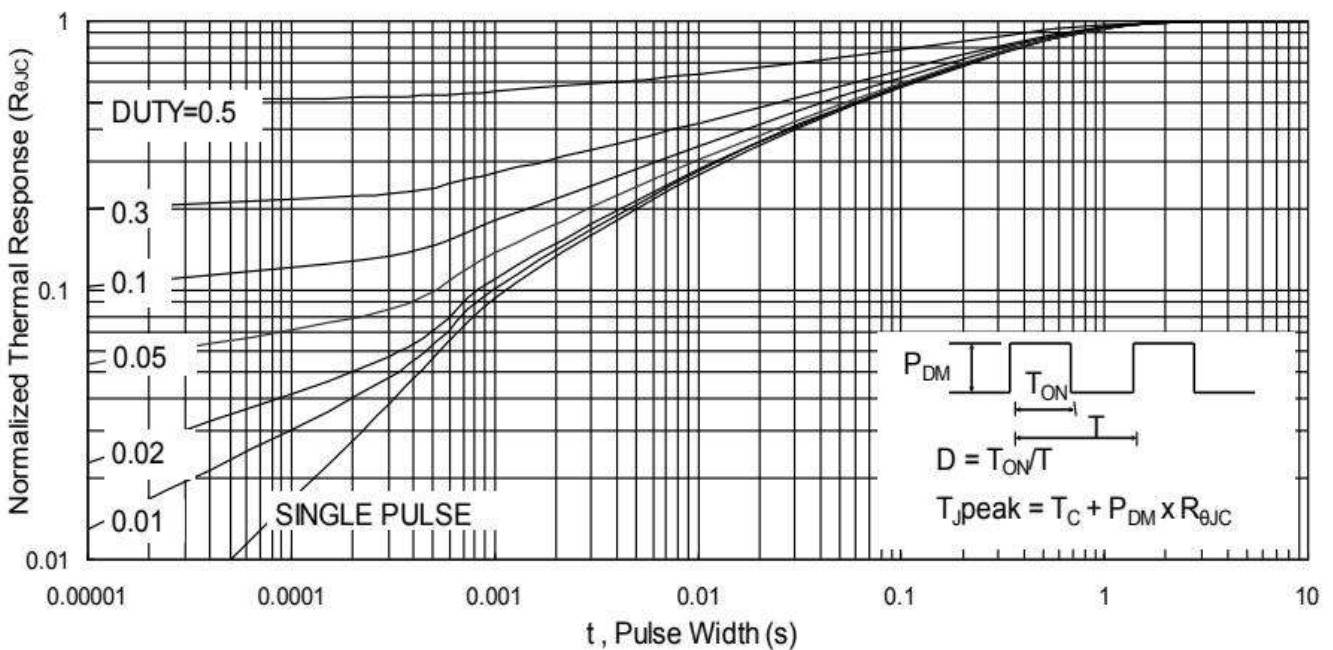
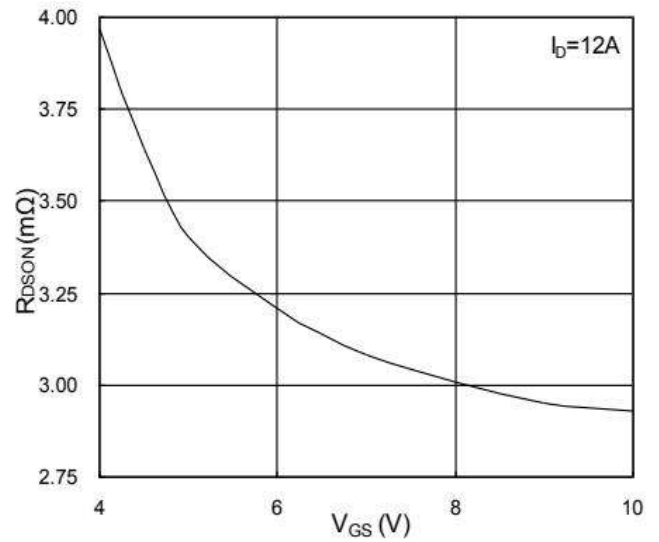
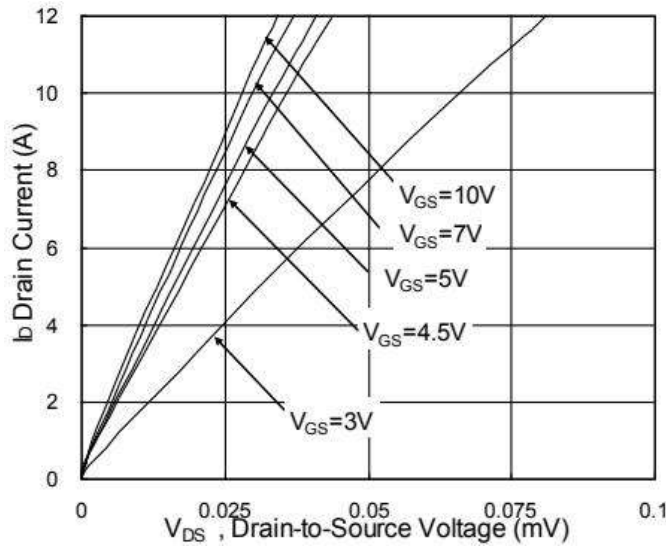
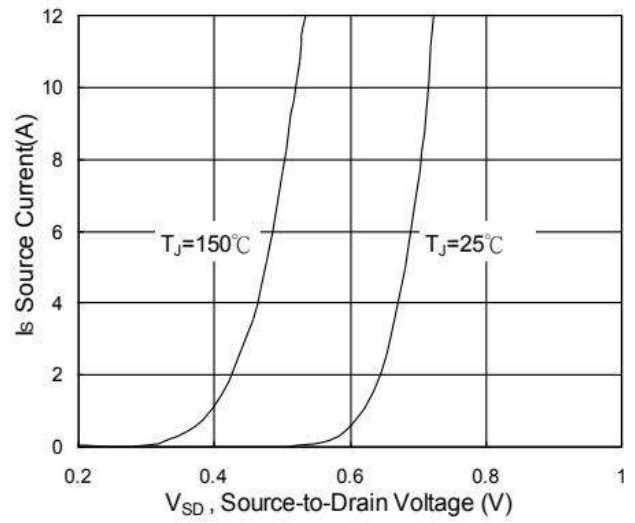
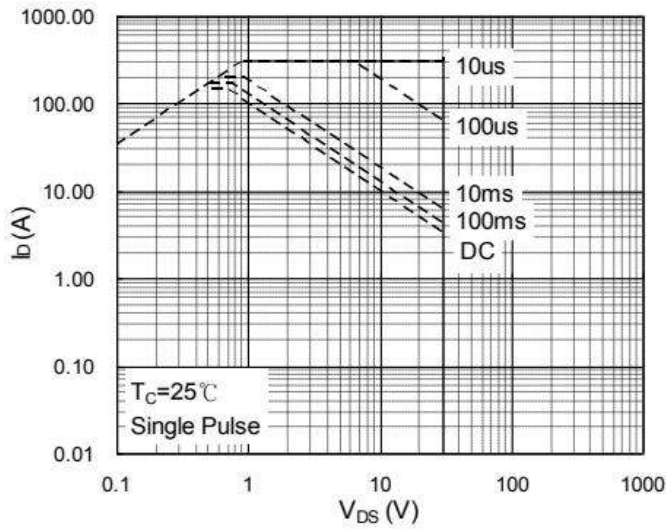
Characteristics	Test Condition	Symbols	Min	Typ	Max	Units
Drain-Source Breakdown Voltage	$V_{GS} = 0 V, I_D = 250 \mu A$	BV_{DSS}	30	-	-	V
Drain-Source Leakage Current	$V_{DS} = 30 V, V_{GS} = 0 V$	I_{DSS}	-	-	1	uA
Gate Leakage Current	$V_{GS} = \pm 20 V, V_{DS} = 0 V$	I_{GSS}	-	-	±100	nA
Gate-Source Threshold Voltage	$V_{DS} = V_{GS}, I_D = 250 \mu A$	$V_{GS(th)}$	2	-	4	V
Drain-Source On-State Resistance	$V_{GS} = 10 V, I_D = 30 A$	TO-252 PDFN	-	2.3	2.8	mΩ
		TO-263	-	2.4	2.8	mΩ
		TO-220AB	-	2.6	2.8	mΩ
Forward Transconductance	$V_{DS} = 5 V, I_D = 30 A$	g_{fs}	30	-	-	S
Input Capacitance	$V_{GS} = 0 V, V_{DS} = 15 V, f = 1 MHz$	C_{iss}	-	5100	-	pF
Output Capacitance		C_{oss}	-	1086	-	
Reverse Transfer Capacitance		C_{rss}	-	612	-	
Turn-on Delay Time(Note2)	$V_{DD} = 15 V, V_{GS} = 10 V, R_G = 3 \Omega, I_D = 30 A$	$td(ON)$	-	22	-	nS
Rise Time(Note2)		tr	-	15	-	
Turn-Off Delay Time(Note2)		$td(OFF)$	-	73	-	
Fall Time(Note2)		tf	-	35	-	
Total Gate Charge(Note2)	$V_{DS} = 15 V, V_{GS} = 10 V, I_D = 30 A$	Q_G	-	48	-	nC
Gate to Source Charge(Note2)		Q_{GS}	-	11	-	
Gate to Drain Charge(Note2)		Q_{GD}	-	21	-	

Source-Drain Diode Characteristics at Ta=25°C unless otherwise specified

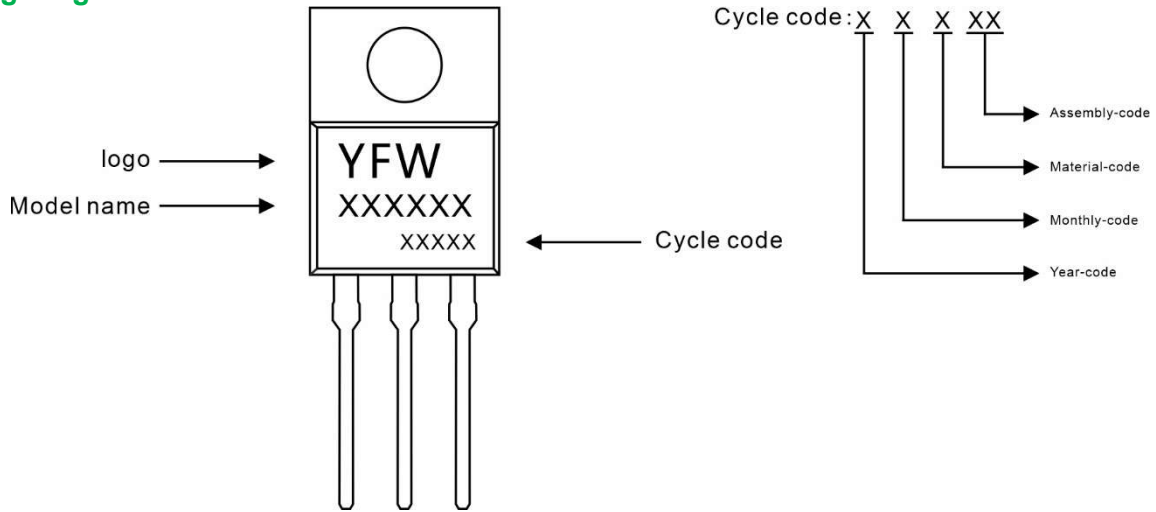
Characteristics	Test Condition	Symbols	Min	Typ	Max	Units
Maximum Body-Diode Continuous Current		I_S	-	-	150	A
Maximum Body-Diode Pulsed Current(Note2)		I_{SM}	-	-	600	A
Drain-Source Diode Forward Voltage	V _{GS} =0V , I _S =1A , T _J =25°C	V_{SD}	-	-	1.2	V

Note2:Pulse test: 300 μs pulse width, 2 % duty cycle

Ratings and Characteristic Curves



Marking Diagram



Ordering information

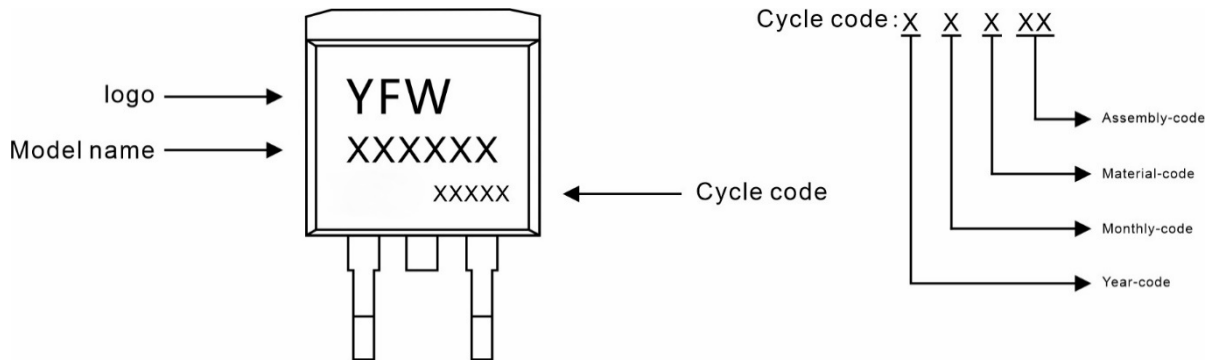
Model name	Package	Unit Weight	Base Quantity	Packing Quantity
YFW150N03AT	TO-220AB	0.07oz(1.96g)	50pcs/tube	1000PCS/Box 5000PCS/Carton

Package Dimensions

TO-220AB

Symbol	Millimeter		Inches	
	Min.	Max.	Min.	Max.
A	4.30	4.70	0.169	0.185
A1	2.52	2.82	0.099	0.111
b	0.71	0.91	0.028	0.036
b1	1.17	1.37	0.046	0.054
c	0.30	0.50	0.012	0.020
c1	1.17	1.37	0.046	0.054
D	9.90	10.20	0.390	0.402
E	8.50	8.90	0.335	0.350
E1	12.00	12.50	0.472	0.492
e	2.44	2.64	0.096	0.104
e1	4.88	5.28	0.192	0.208
F	2.60	2.80	0.102	0.110
L	13.20	13.80	0.520	0.543
L1	3.80	4.20	0.150	0.165
Φ	3.60	3.96	0.142	0.156

Marking Diagram



Ordering information

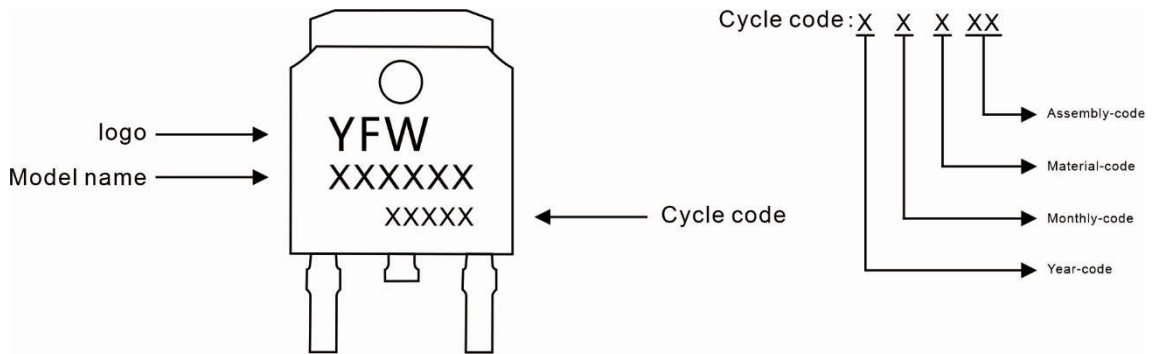
Model name	Package	Unit Weight	Base Quantity	Packing Quantity
YFW150N03AS	TO-263	0.04oz(1.16g)	800pcs/reel	1600pcs/box 8000pcs/Carton

Package Dimensions

TO-263

Dim	Millimeter		Inches	
	Min.	Max.	Min.	Max.
A	4.30	4.70	0.169	0.185
A1	0.00	0.15	0.000	0.006
A2	4.30	4.55	0.169	0.179
B	1.10	1.50	0.043	0.059
b	0.70	0.90	0.028	0.035
b1	1.20	1.50	0.047	0.059
c	0.30	0.60	0.012	0.024
c1	1.17	1.37	0.046	0.054
D	9.90	10.20	0.390	0.402
E	8.50	8.90	0.335	0.350
e	2.44	2.64	0.096	0.104
e1	4.88	5.28	0.192	0.208
L	15.00	15.30	0.591	0.602
L1	5.20	5.40	0.205	0.213
L2	2.40	2.60	0.094	0.102
L3	1.60	1.80	0.063	0.071

Marking Diagram



Ordering information

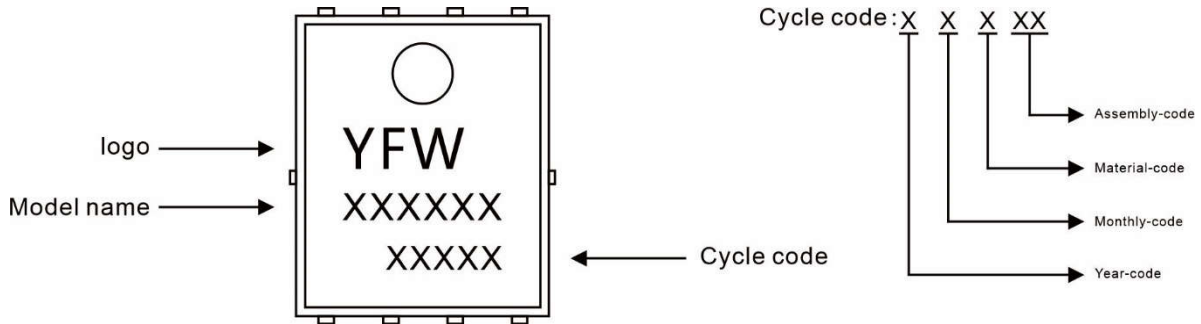
Model name	Package	Unit Weight	Base Quantity	Packing Quantity
YFW150N03AD	TO-252	0.011oz(0.32g)	2500pcs/reel	5000pcs/box 25000pcs/Carton

Package Dimensions

TO-252

Dim	Millimeter		Inches	
	Min.	Max.	Min.	Max.
A	2.20	2.50	0.087	0.098
A1	0.00	0.12	0.000	0.005
A2	2.20	2.40	0.087	0.094
B	1.20	1.60	0.047	0.063
b	0.50	0.70	0.020	0.028
b1	0.70	0.90	0.028	0.035
c	0.40	0.60	0.016	0.024
c1	0.40	0.60	0.016	0.024
D	6.35	6.65	0.250	0.262
D1	5.20	5.40	0.205	0.213
E	5.40	5.70	0.213	0.224
e	2.20	2.40	0.087	0.094
e1	4.40	4.80	0.173	0.189
L	10.00	11.00	0.393	0.433
L1	2.70	3.10	0.106	0.122
L2	1.40	1.80	0.055	0.071
L3	0.90	1.50	0.035	0.059

Marking Diagram



Ordering information

Model name	Package	Unit Weight	Base Quantity	Packing Quantity
YFW150N03NF	PDFN5*6-8L	0.0032oz(0.093g)	5000pcs/reel	10000pcs/box 50000pcs/Carton

Package Dimensions

PDFN5*6-8L

Dim	Millimeter		mil	
	Min.	Max.	Min.	Max.
A	0.9	1.2	35	45
A2	0.204	0.304	8	12
b	0.4ref.		16ref.	
b1	0.2	0.4	8	16
D	5.0	5.3	197	209
D1	4.84	5.24	191	206
E	5.95	6.35	234	250
E1	3.275	3.675	129	145
E2	5.69	6.09	224	232
e	1.27typ.		50typ.	
K	1.29typ.		51typ.	
L	0.585	0.785	23	27
L1	0.7typ.		28typ.	

Disclaimer

The information presented in this document is for reference only. Guangdong Youfeng Microelectronics Co.,Ltd. reserves the right to make changes without notice for the specification of the products displayed herein to improve reliability, function or design or otherwise. The product listed herein is designed to be used with ordinary electronic equipment or devices, and not designed to be used with equipment or devices which require high level of reliability and the malfunction of which would directly endanger human life (such as medical instruments, transportation equipment, aerospace machinery, nuclear-reactor controllers, fuel controllers and other safety devices), YFW or anyone on its behalf, assumes no responsibility or liability for any damages resulting from such improper use of sale. This publication supersedes & replaces all information previously supplied. For additional information, please visit our website <https://www.yfwdiode.com>, or consult YFW sales office for further assistance.