

4.0A GLASS PASSIVATED SINGLE-PHASE BRIDGE RECTIFIER

Reverse Voltage - 50 to 1000 V

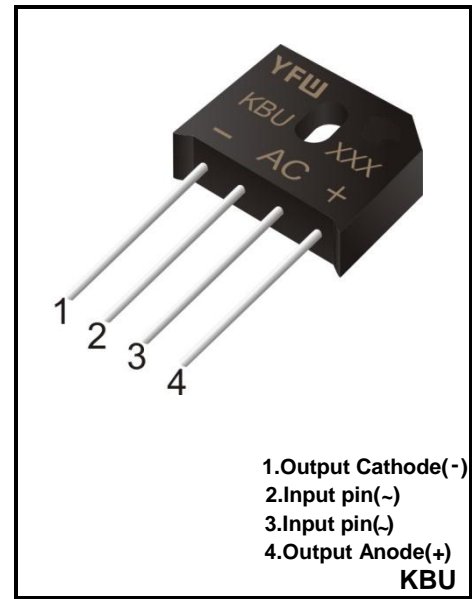
Forward Current - 4.0A

FEATURES

- ◆Glass passivated chip
- ◆Low Reverse Leakage Current
- ◆High surge current capability
- ◆Case to Terminal Isolation Voltage 2500V

MECHANICAL DATA

- ◆Case: KBU
- ◆Marking / Polarity: Marked on Body
- ◆Weight: About 6.66 grams



Maximum Ratings and Thermal Characteristics @ Ta = 25°C unless otherwise noted

Parameter	Symbols	KBU4005	KBU401	KBU402	KBU404	KBU406	KBU408	KBU410	Units	
Maximum Repetitive Peak Reverse Voltage	V_{RRM}	50	100	200	400	600	800	1000	V	
Maximum RMS voltage	V_{RMS}	35	70	140	280	420	560	700	V	
Maximum DC Blocking Voltage	V_{DC}	50	100	200	400	600	800	1000	V	
Average Forward Output Rectified Current@Ta =85°C	$I_{F(AV)}$	4.0								A
Peak Forward Surge Current 8.3ms Single Half Sine- wave superimposed on rated load	I_{FSM}	160								A
Forward Voltage Per Leg @ $I_{FM}=4.0A$	V_F	1.1								V
Maximum DC Reverse Current at Rated DC Blocking Voltage Ta=25°C Ta=125°C	I_R	5 500								μA
I ² t Rating for Fusing(t≤8.3ms)	I ² t	106								A ² S
Rms isolation voltage from case to leads	V_{isol}	2500								V
Maximum thermal resistance per leg	$R_{θJC}$	4.2								°C/W
Operating and Storage Temperature Range	T_j, T_{stg}	-55 ~ +150								°C

Note:

- (1) Junction to case with heatsink
- (2) Recommended mounting position is to bolt down on heatsink with silicone thermal compound for maximum heat transfer with M3 screw .

Ratings And Characteristic Curves

Fig.1-forwardCurrent derating Curve

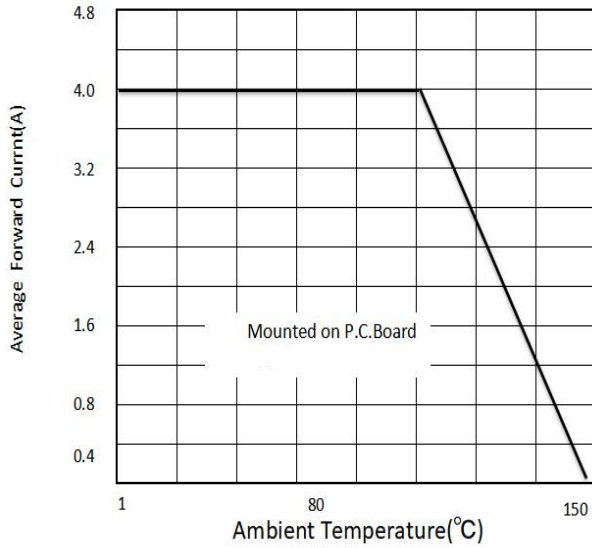


Fig.2-Maximum Non-Repetitive Surge Current

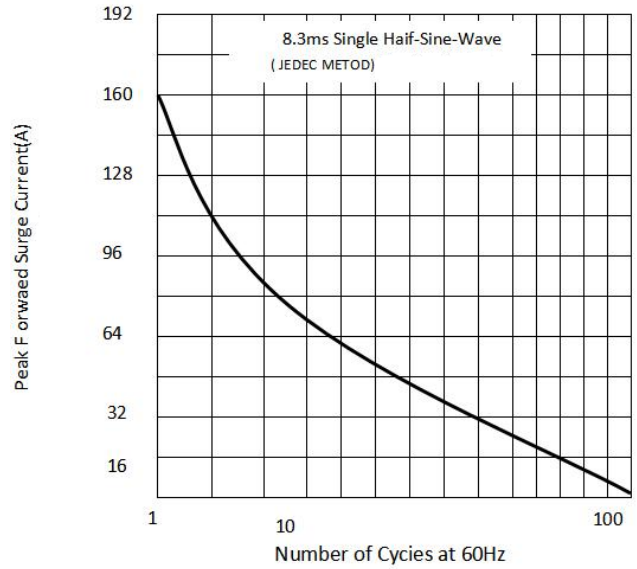


Fig.3-Typical Reverse Characteristics

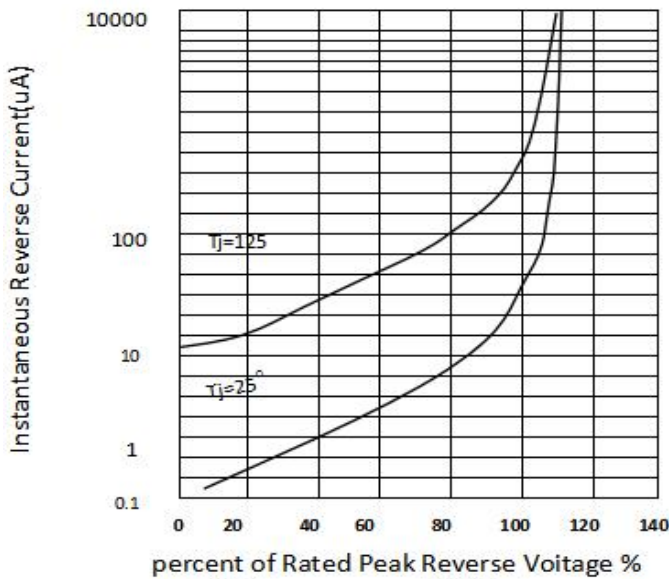
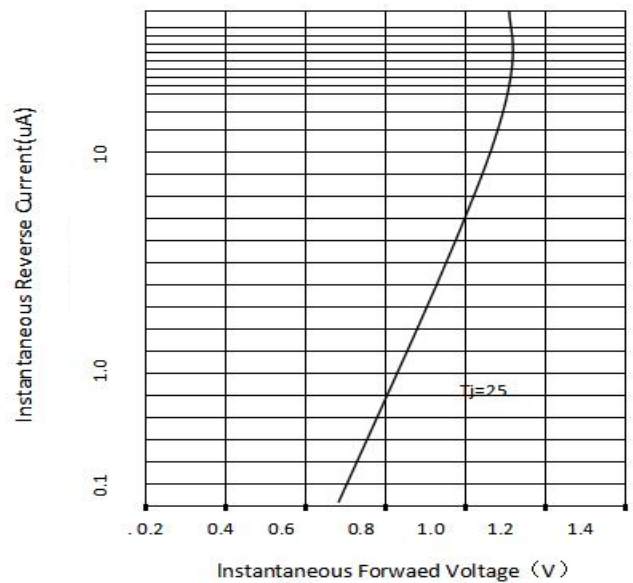
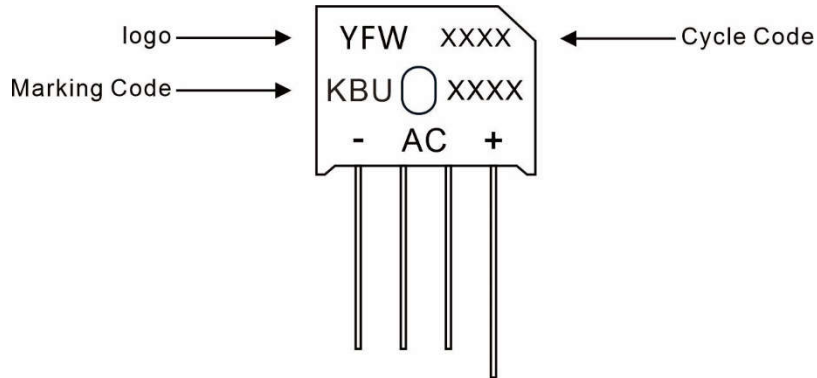


Fig.4-Typical Forward Characteristics



Marking Diagram



Ordering information

Package	Packing Description	Packing Quantity
KBU	bulk	400PCS/Box 2400PCS/Carton

Package Dimensions

KBU

Dim.	Millimeter(mm)		Dimensions inInch	
	Min.	Max.	Min.	Max.
A	18.8	19.8	0.74	0.78
B	20.0	/	0.79	/
C	1.2	1.3	0.05	0.05
D	4.6	5.6	0.18	0.22
E	6.8	7.1	0.27	0.28
F	4.6	5.0	0.18	0.20
G	22.7	23.7	0.89	0.93

The mechanical drawing shows the following dimensions:

- A**: Total height of the package.
- B**: Height of the package body.
- C**: Diameter of the lead wire.
- D**: Width of the lead wire.
- E**: Width of the package body.
- F**: Width of the package body at the base.
- G**: Total width of the package including leads.

Disclaimer

The information presented in this document is for reference only. GuangDong Youfeng Microelectronics Co.,Ltd. reserves the right to make changes without notice for the specification of the products displayed herein to improve reliability, function or design or otherwise. The product listed herein is designed to be used with ordinary electronic equipment or devices, and not designed to be used with equipment or devices which require high level of reliability and the malfunction of with would directly endanger human life (such as medical instruments, transportation equipment, aerospace machinery, nuclear-reactor controllers, fuel controllers and other safety devices),YFW or anyone on its behalf, assumes no responsibility or liability for any damages resulting from such improper use of sale. This publication supersedes & replaces all information previously supplied. For additional information, please visit our website <https://www.yfwdiode.com>, or consult YFW sales office for further assistance.