

**8.0A GLASS PASSIVATED BRIDGE RECTIFIER**

**Reverse Voltage - 50 to 1000 V**

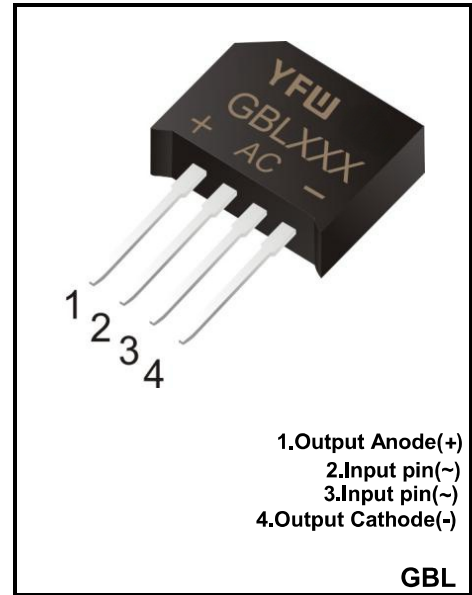
**Forward Current – 8.0A**

**FEATURES**

- ◆Glass passivated chip
- ◆Low Reverse Leakage Current
- ◆High surge current capability
- ◆Case to Terminal Isolation Voltage 2500V

**MECHANICAL DATA**

- ◆Case: GBL
- ◆Marking / Polarity: Marked on Body
- ◆Weight: About 2.2 grams



**Maximum Ratings and Electrical characteristics**

Ratings at 25 °C ambient temperature unless otherwise specified.

Parameter	Symbols	GBL8005	GBL801	GBL802	GBL804	GBL806	GBL808	GBL810	Units
Maximum Repetitive Peak Reverse Voltage	$V_{RRM}$	50	100	200	400	600	800	1000	V
Maximum RMS voltage	$V_{RMS}$	35	70	140	280	420	560	700	V
Maximum DC Blocking Voltage	$V_{DC}$	50	100	200	400	600	800	1000	V
Average Forward Output Rectified Current@Ta=85°C	$I_{F(AV)}$	8							A
Forward Voltage Per Leg @IFM =8.0A	$V_F$	1.1							V
Peak Forward Surge Current 8.3ms Single Half Sine- wave superimposed on rated load	$I_{FSM}$	200							A
Maximum DC Forward Voltage @Tj=25°C At rated DC blocking voltage @ Tj=125°C	$I_R$	5.0 500.0							μA
T <sup>2</sup> t Rating for Fusing (t< 8.3ms)	$I^2t$	166							A <sup>2</sup> S
Rms isolation voltage from case to leads	$V_{isol}$	2500							V
Maximum thermal resistance per leg	$R_{θJC}$	4.2							°C/W
Operating Temperature Range	$T_J$	-55 ~ +150							°C
Storage Temperature Range	$T_{stg}$	-55 ~ +150							°C

Note:  
 (1) Junction to case with heatsink  
 (2) Recommended mounting position is to bolt down on heatsink with silicone thermal compound for maximum heat transfer with M3 screw .

**Ratings And Characteristic Curves**

Fig.1-forwardCurrent derating Curve

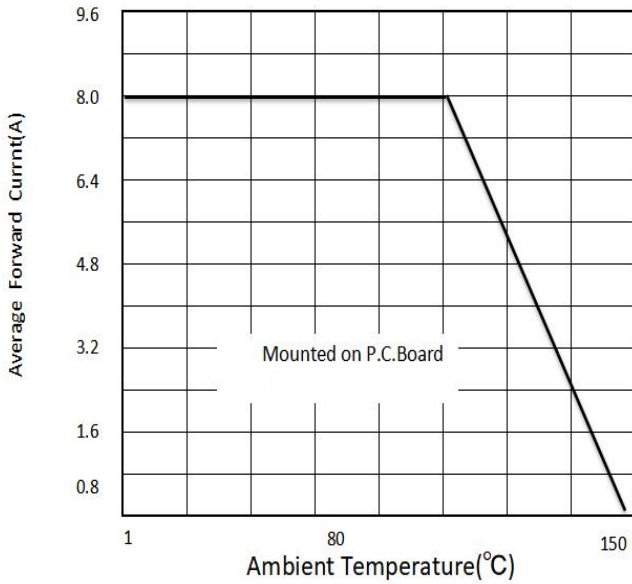


Fig.2-Maximum Non-Repetitive Surge Current

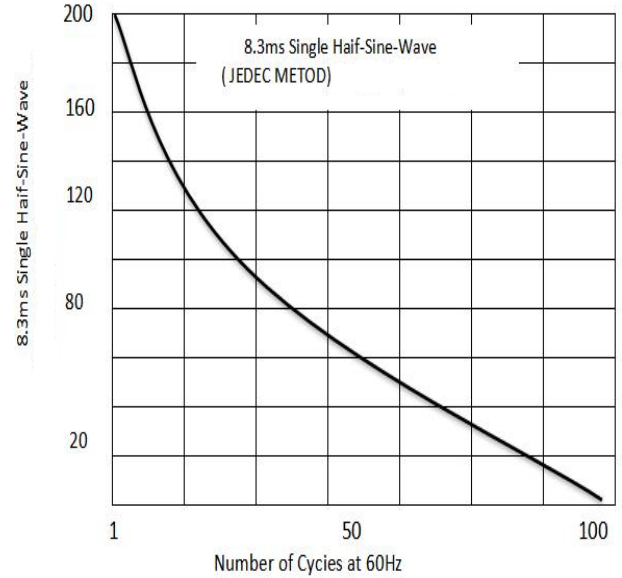


Fig.3-Typical Reverse Characteristics

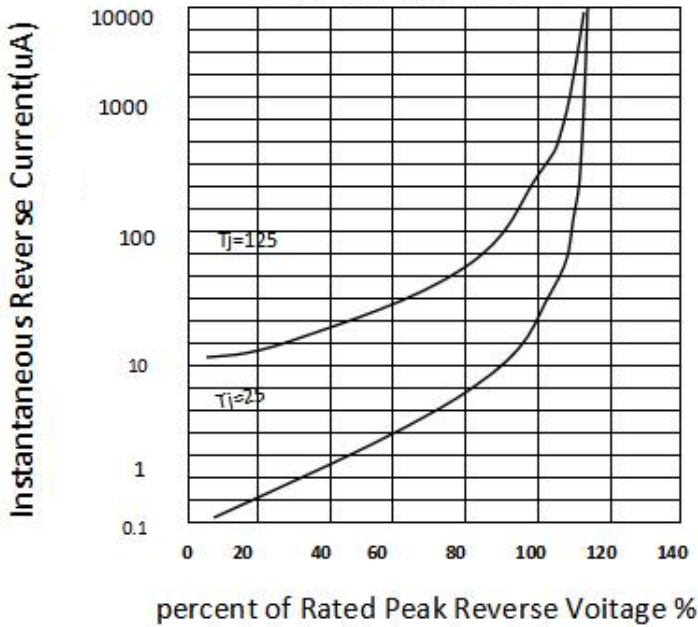
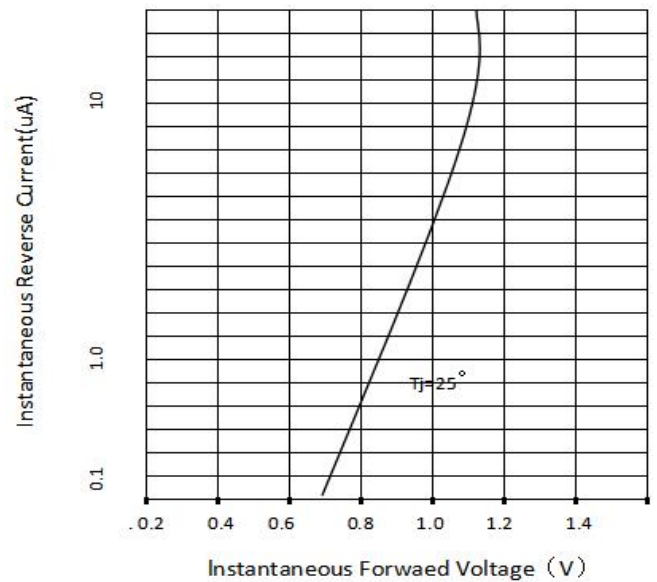
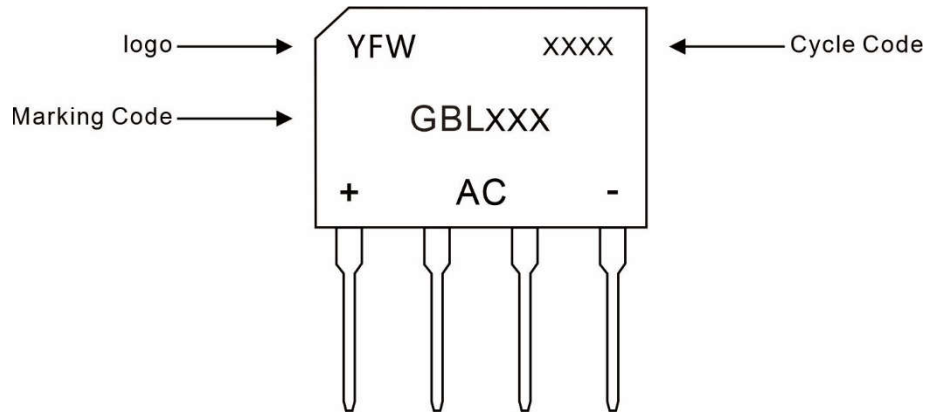


Fig.4-Typical Forward Characteristics



**Marking Diagram**



**Ordering information**

Package	Packing Description	Packing Quantity
GBL	bulk	500PCS/Box 5000PCS/Carton

**Package Dimensions**

**GBL**

Dim.	Millimeter(mm)		Dimensions inInch	
	Min.	Max.	Min.	Max.
A	19.2	21.2	0.756	0.835
B	1.2	1.8	0.0472	0.0709
C	1.0	1.2	0.0394	0.0472
D	Typ:3.0		Typ:0.118	
E	4.9	5.1	0.193	0.201
F	10.5	11.5	0.413	0.453
G	2.0	3.0	0.079	0.118
H	13.0	15.0	0.512	0.591
I	3.0	4.0	0.118	0.157
J	0.9	1.1	0.035	0.043
K	0.4	0.6	0.016	0.024

## Disclaimer

The information presented in this document is for reference only. Guangdong Youfeng Microelectronics Co.,Ltd. reserves the right to make changes without notice for the specification of the products displayed herein to improve reliability, function or design or otherwise. The product listed herein is designed to be used with ordinary electronic equipment or devices, and not designed to be used with equipment or devices which require high level of reliability and the malfunction of which would directly endanger human life (such as medical instruments, transportation equipment, aerospace machinery, nuclear-reactor controllers, fuel controllers and other safety devices), YFW or anyone on its behalf, assumes no responsibility or liability for any damages resulting from such improper use of sale. This publication supersedes & replaces all information previously supplied. For additional information, please visit our website <https://www.yfwdiode.com>, or consult YFW sales office for further assistance.