

15A GLASS PASSIVATED BRIDGE RECTIFIER REVERSE

Voltage - 100 to 1000 V

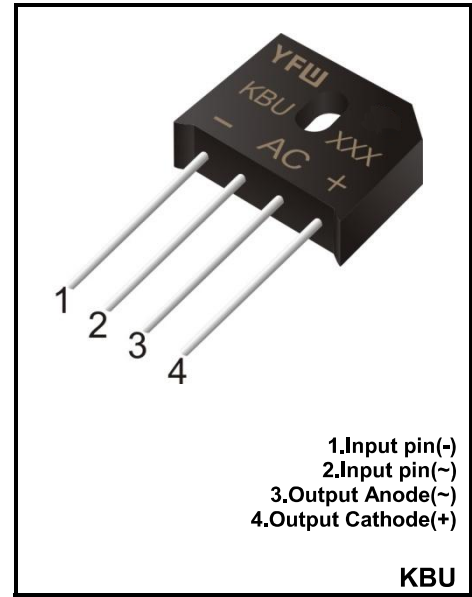
Forward Current – 15A

FEATURES

- ◆Glass passivated chip
- ◆Low Reverse Leakage Current
- ◆High surge current capability
- ◆Case to Terminal Isolation Voltage 2500V

MECHANICAL DATA

- ◆Case: KBU
- ◆Terminals: Solderable per MIL-STD-202, Method 208
- ◆Approx. Weight: 8.0g / 0.3oz



Maximum Ratings and Electrical characteristics

Ratings at 25 °C ambient temperature unless otherwise specified.

Single phase half-wave 60 Hz, resistive or inductive load, for capacitive load current derate by 20 %.

Parameter	Symbols	KBU1501	KBU1502	KBU1504	KBU1506	KBU1508	KBU1510	Units
Maximum Repetitive Peak Reverse Voltage	V_{RRM}	100	200	400	600	800	1000	V
Maximum RMS voltage	V_{RMS}	70	140	280	420	560	700	V
Maximum DC Blocking Voltage	V_{DC}	100	200	400	600	800	1000	V
Maximum Average Forward Rectified Current @T _C =85°C	I_{F(AV)}	15						A
Peak Forward Surge Current 8.3 ms Single Half Sine-Wave Superimposed on Rated Load (JEDEC method)	I_{FSM}	320						A
Forward Voltage Per Leg @I _{FM} =15.0A	V_F	1.1						V
Maximum DC Reverse Current at Rated DC Blocking Voltage @Ta=25°C @Ta=125°C	I_R	5 500						μA
Rating for Fusing(3ms≤t≤8.3ms)	I_{2t}	166						A²S
Maximum thermal resistance per leg	R_{θJC}	4.2						°C/W
Operating and Storage Temperature Range	T_J, T_{stg}	-55 ~ +150						°C

(1) Junction to case with heatsink

(2) Recommended mounting position is to bolt down on heatsink with silicone thermal compound for maximum heat transfer with M3 screw

Ratings And Characteristic Curves

Fig.1-forwardCurrent derating Curve
图1正向电流降额曲线

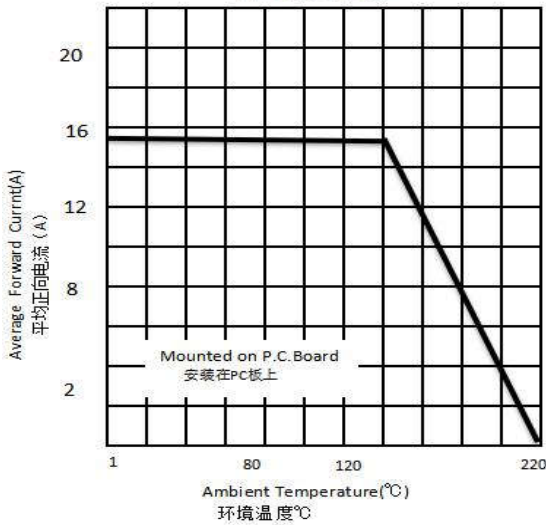


Fig.2-Maximum Non-Repetitive Surge Current

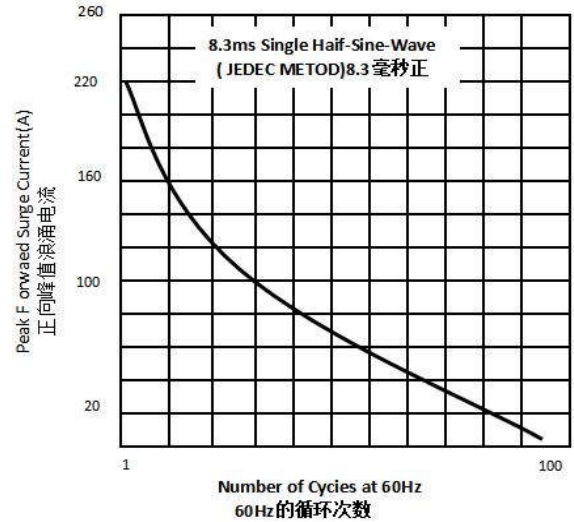


FIG3.Typical Reverse Characteristics

图3. 典型反向特性

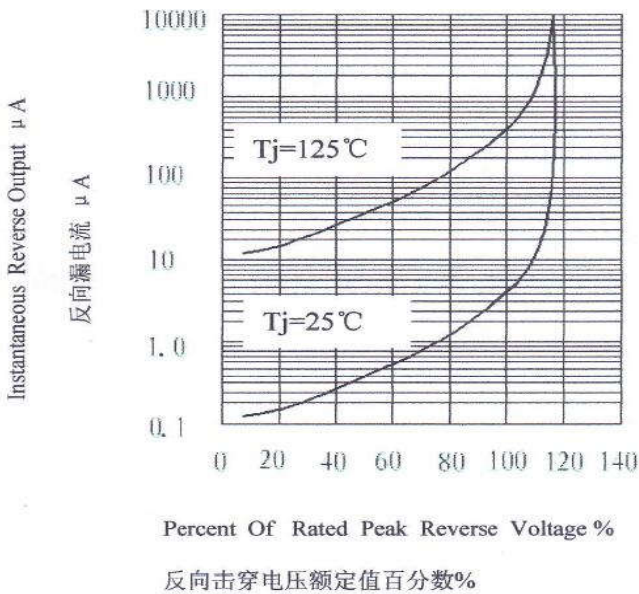
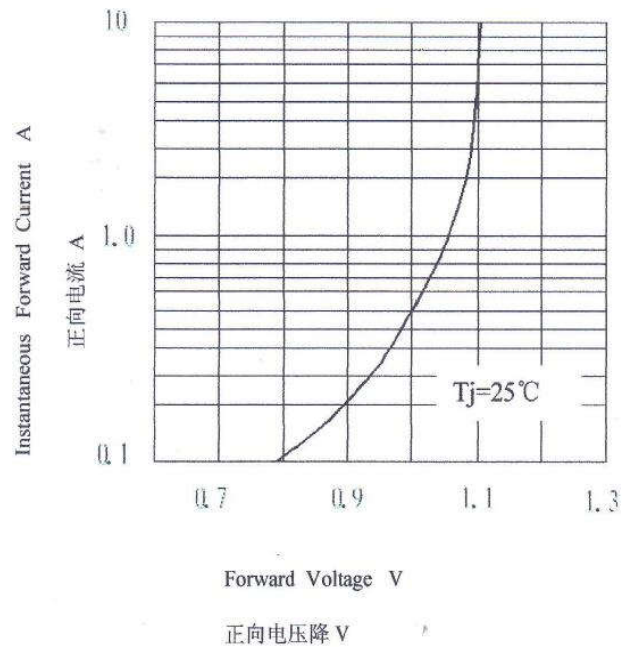
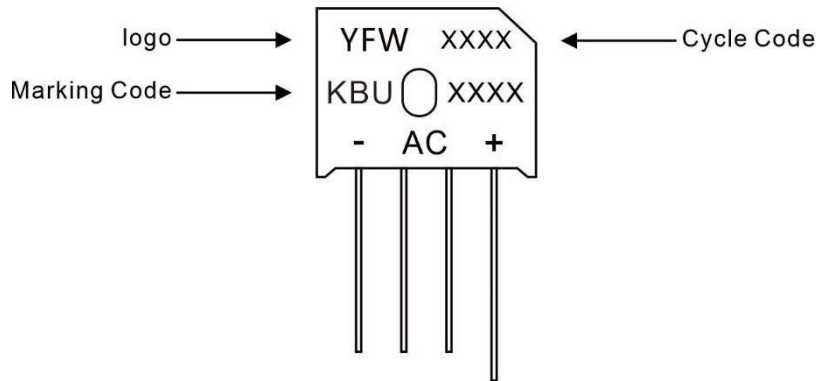


FIG4.Instantaneous Forward Voltage

图4. 典型正向特性



Marking Diagram



Ordering information

Package	Packing Description	Packing Quantity
KBU	bulk	400PCS/Box 2400PCS/Carton

Package Dimensions

KBU

Dim.	Millimeter(mm)		Dimensions inInch	
	Min.	Max.	Min.	Max.
A	18.8	19.8	0.74	0.78
B	20.0	/	0.79	/
C	1.2	1.3	0.05	0.05
D	4.6	5.6	0.18	0.22
E	6.8	7.1	0.27	0.28
F	4.6	5.0	0.18	0.20
G	22.7	23.7	0.89	0.93

The drawing shows the following dimensions:

- A: Total height of the package.
- B: Height of the package body.
- C: Diameter of the lead wire.
- D: Width of the lead wire.
- E: Width of the package body.
- F: Width of the package body at the bottom.
- G: Total width of the package.

Disclaimer

The information presented in this document is for reference only. Guangdong Youfeng Microelectronics Co.,Ltd. reserves the right to make changes without notice for the specification of the products displayed herein to improve reliability, function or design or otherwise. The product listed herein is designed to be used with ordinary electronic equipment or devices, and not designed to be used with equipment or devices which require high level of reliability and the malfunction of which would directly endanger human life (such as medical instruments, transportation equipment, aerospace machinery, nuclear-reactor controllers, fuel controllers and other safety devices), YFW or anyone on its behalf, assumes no responsibility or liability for any damages resulting from such improper use of sale. This publication supersedes & replaces all information previously supplied. For additional information, please visit our website <https://www.yfwdiode.com>, or consult YFW sales office for further assistance.