

**4.0A GLASS PASSIVATED BRIDGE RECTIFIER**

**Reverse Voltage - 100 to 1000 V**

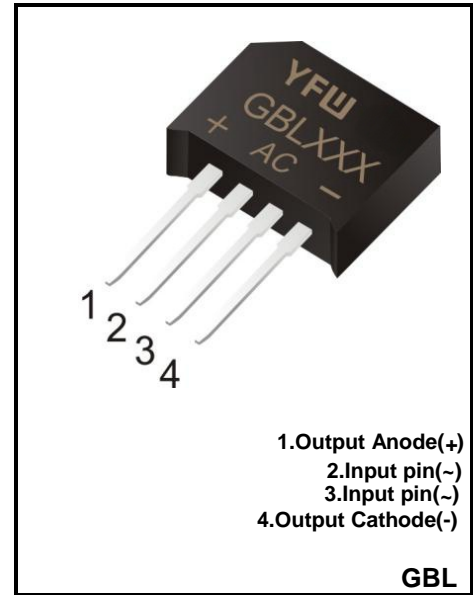
**Forward Current – 4.0A**

**FEATURES**

- ◆ Surge overload rating - 125 amperes peak
- ◆ Ideal for printed circuit board
- ◆ Glass Passivated Chip Junction
- ◆ Mounting position: Any
- ◆ Lead free in comply with EU RoHS 2011/65/EU directives

**MECHANICAL DATA**

- ◆ Case: GBL
- ◆ Terminals: Solderable per MIL-STD-202, Method 208
- ◆ Approx. Weight: 2.15g / 0.076oz



**Maximum Ratings and Electrical characteristics**

Ratings at 25 °C ambient temperature unless otherwise specified.

Parameter	Symbols	GBL401	GBL402	GBL404	GBL406	GBL408	GBL410	Units
Maximum Repetitive Peak Reverse Voltage	$V_{RRM}$	100	200	400	600	800	1000	V
Maximum RMS voltage	$V_{RMS}$	70	140	280	420	560	700	V
Maximum DC Blocking Voltage	$V_{DC}$	100	200	400	600	800	1000	V
Average Rectified Output Current	$I_{(AV)}$	4.0						A
Peak Forward Surge Current 8.3 ms Single Half Sine-Wave Superimposed on Rated Load (JEDEC method)	$I_{FSM}$	125						A
Forward Voltage per element @ $I_F=4.0A$ and 25°C	$V_F$	1.1						V
Maximum DC Reverse Current at Rated DC Blocking Voltage	$I_R$	10.0						$\mu A$
Maximum Reverse Current at Rated DC Blocking Voltage @ $T_A=150^\circ C$	$I_R$	1.0						mA
Operating Temperature Range	$T_J$	-55 ~ +150						$^\circ F$
Storage Temperature Range	$T_{stg}$	-55 ~ +150						$^\circ C$

(1) Mounting conditions, 0.5" lead length maximum.

**Ratings And Characteristic Curves**

FIG.1-MAXIMUM NON-REPETITIVE SURGE CURRENT

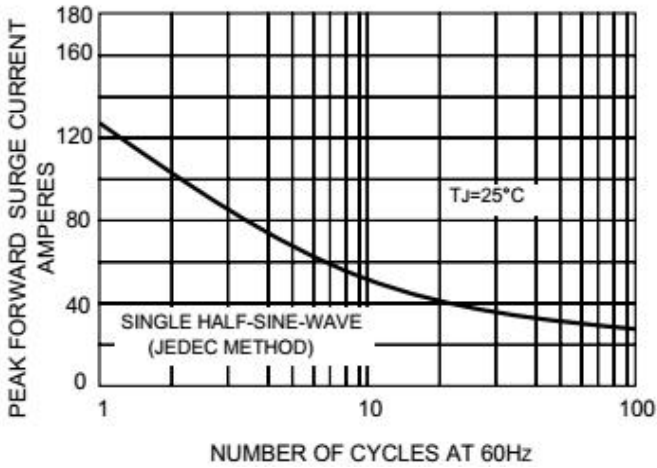


FIG.2-FORWARD DERATING CURRENT

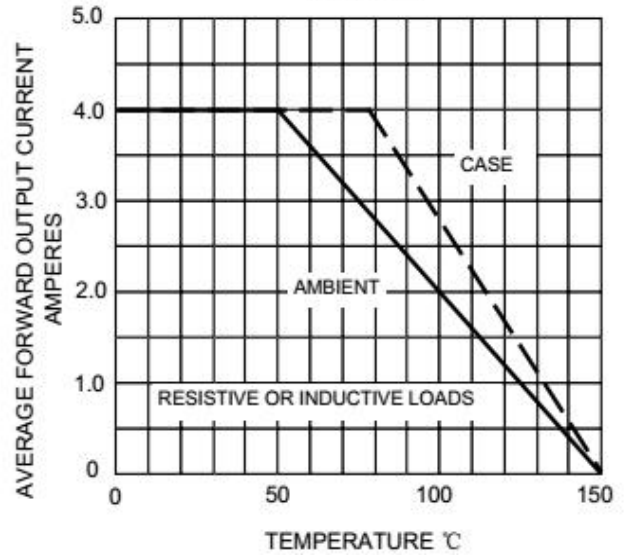


FIG.3-TYPICAL FORWARD CHARACTERISTICS

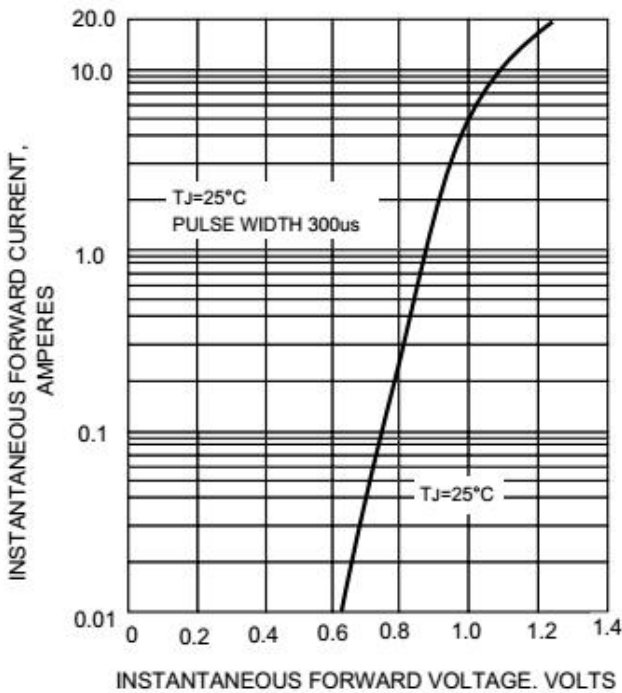
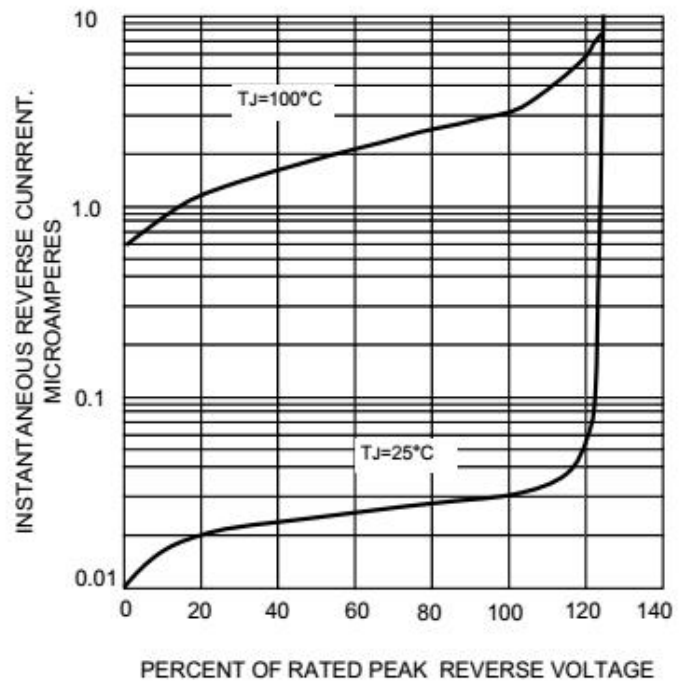
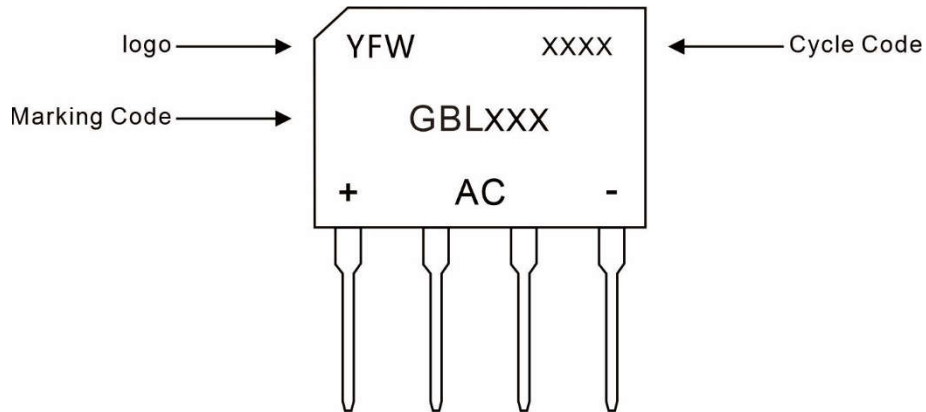


FIG.4-TYPICAL REVERSE CHARACTERISTICS



**Marking Diagram**



**Ordering information**

Package	Packing Description	Packing Quantity
GBL	bulk	500PCS/Box 5000PCS/Carton

**Package Dimensions**

**GBL**

Dim.	Millimeter(mm)		Dimensions inInch	
	Min.	Max.	Min.	Max.
A	19.2	21.2	0.756	0.835
B	1.2	1.8	0.0472	0.0709
C	1.0	1.2	0.0394	0.0472
D	Typ:3.0		Typ:0.118	
E	4.9	5.1	0.193	0.201
F	10.5	11.5	0.413	0.453
G	2.0	3.0	0.079	0.118
H	13.0	15.0	0.512	0.591
I	3.0	4.0	0.118	0.157
J	0.9	1.1	0.035	0.043
K	0.4	0.6	0.016	0.024

## Disclaimer

The information presented in this document is for reference only. GuangDong Youfeng Microelectronics Co.,Ltd. reserves the right to make changes without notice for the specification of the products displayed herein to improve reliability, function or design or otherwise. The product listed herein is designed to be used with ordinary electronic equipment or devices, and not designed to be used with equipment or devices which require high level of reliability and the malfunction of which would directly endanger human life (such as medical instruments, transportation equipment, aerospace machinery, nuclear-reactor controllers, fuel controllers and other safety devices), YFW or anyone on its behalf, assumes no responsibility or liability for any damages resulting from such improper use of sale. This publication supersedes & replaces all information previously supplied. For additional information, please visit our website <https://www.yfwdiode.com>, or consult YFW sales office for further assistance.