

10A GLASS PASSIVATED BRIDGE RECTIFIER Reverse Voltage - 100 to 1000 V Forward Current – 10A

FEATURES

- ◆ Surge overload rating-300 amperes peak
- ◆ Polarity:As marked on body
- ◆ Ideal for printed circuit board
- ◆ Plastic material has U/L

The flammability classification 94V-0

- ◆ Reliable low cost construction utilizing molded plastic technique

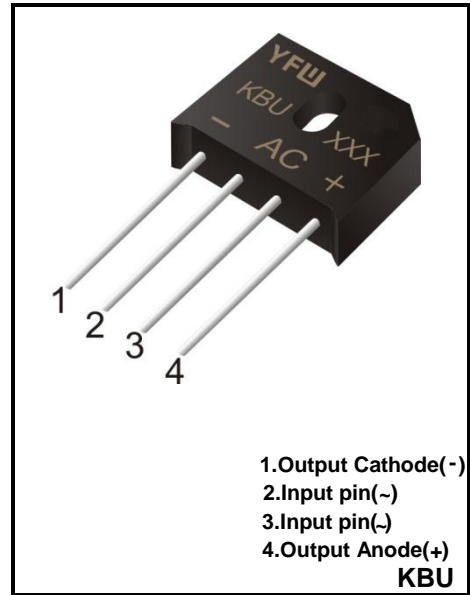
MECHANICAL DATA

- ◆ Case: KBU
- ◆ Terminals: Solderable per MIL-STD-202, Method 208
- ◆ Approx. Weight: 8.0g /0.3oz

Maximum Ratings and Electrical characteristics

Ratings at 25 °C ambient temperature unless otherwise specified.

Single phase half-wave 60 Hz, resistive or inductive load, for capacitive load current derate by 20 %.



Parameter	Symbols	KBU1001	KBU1002	KBU1004	KBU1006	KBU1008	KBU1010	Units
Maximum Repetitive Peak Reverse Voltage	V_{RRM}	100	200	400	600	800	1000	V
Maximum RMS voltage	V_{RMS}	70	140	280	420	560	700	V
Maximum DC Blocking Voltage	V_{DC}	100	200	400	600	800	1000	V
Maximum Average Forward Rectified Current at $T_C=100^{\circ}C$ (Note 1)	$I_{(AV)}$	10						A
Peak Forward Surge Current 8.3 ms Single Half Sine-Wave Superimposed on Rated Load (JEDEC method)	I_{FSM}	300						A
Forward Voltage per element at 5.0A DC and 25°C	V_F	1.0						V
Maximum DC Reverse Current at Rated DC Blocking Voltage @Ta=25°C @Ta=125°C	I_R	10 500						μA
I2t Rating for Fusing(3ms≤t≤8.3ms)	I^2t	200						A ² S
Typical Thermal Resistance (Note2)	$R_{\theta JA}/R_{\theta JC}$	25/2.2						°C/W
Operating and Storage Temperature Range	T_j, T_{stg}	-55 ~ +150						°C

(1) Measured at 1 MHz and applied reverse voltage of 4 V D.C

(2) Unit case mounted on 4" x 6" x 0.25" Al plate heat sink.

Ratings And Characteristic Curves

FIG 1 Maximum Derating Curve for Output Current

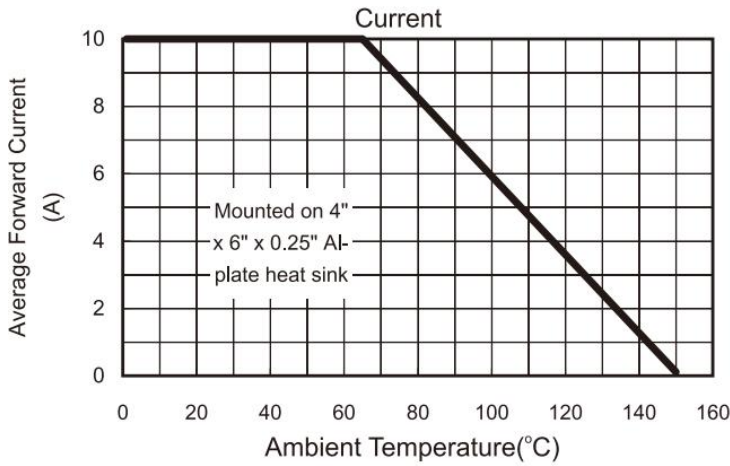


FIG 2 Maximum Forward Surge Current per Leg

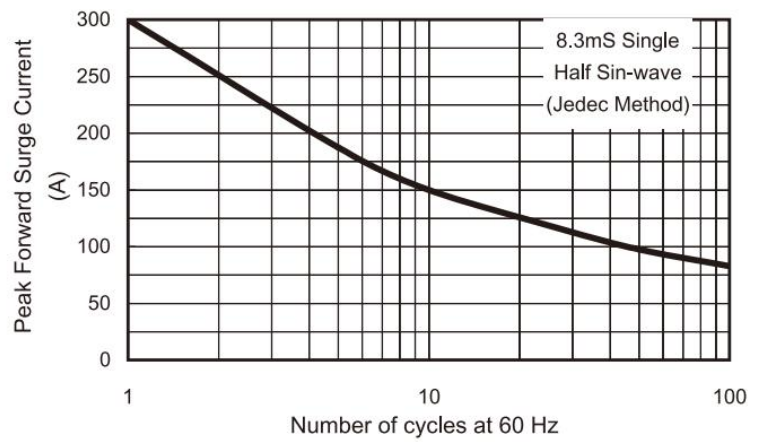


FIG 3 Typical Reverse Leakage Characteristics per Leg

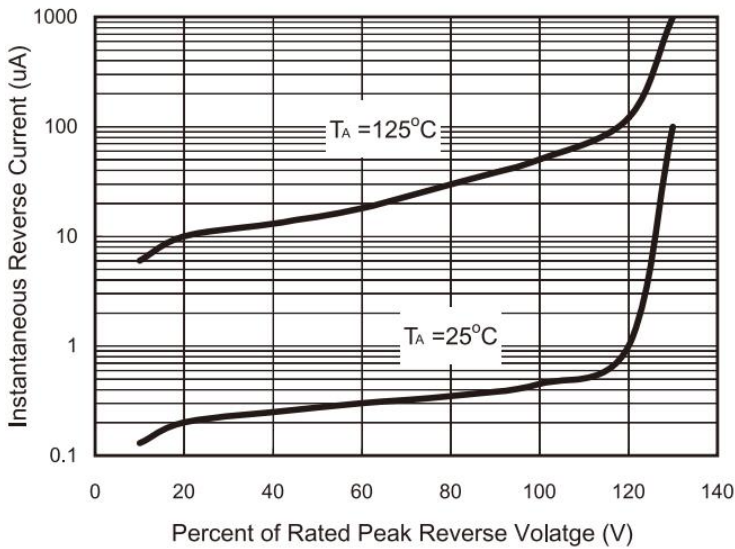


FIG 4 Typical Forward Characteristics per Leg.

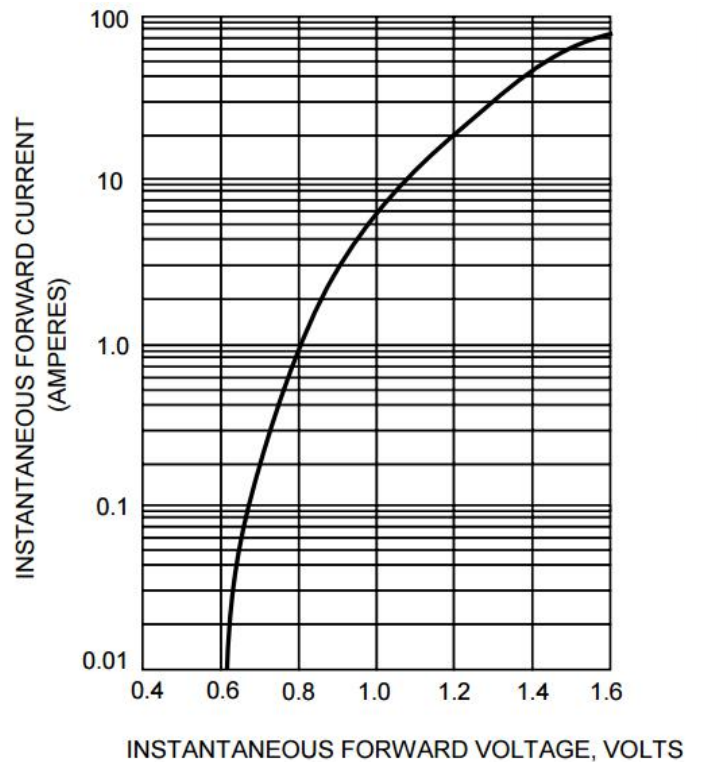
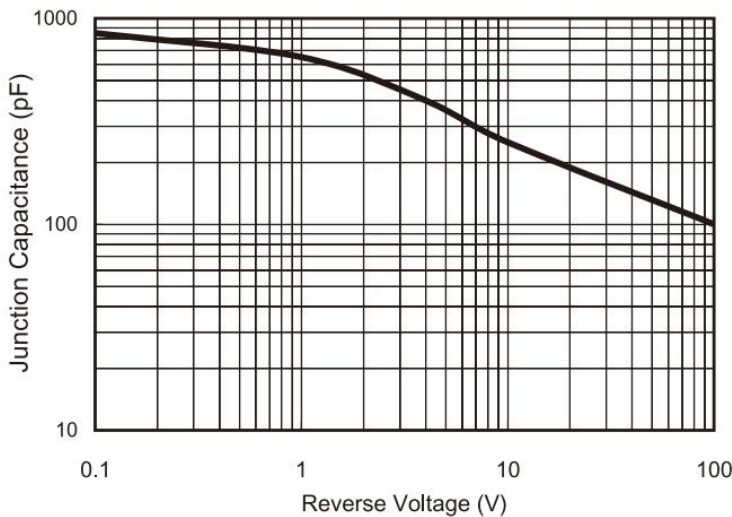
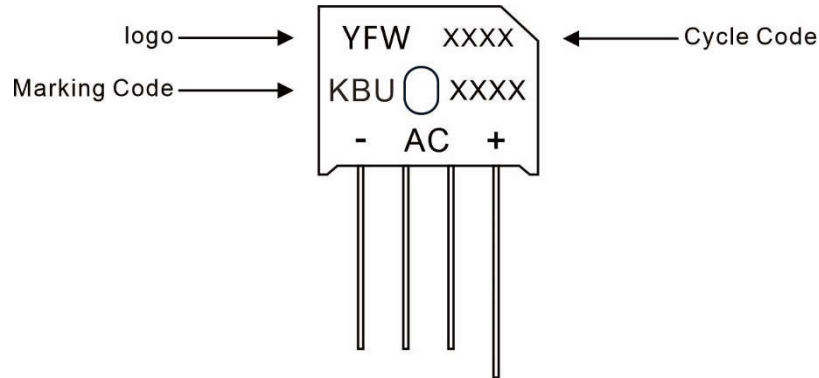


FIG 5 Typical Junction Capacitance



Marking Diagram



Ordering information

Package	Packing Description	Packing Quantity
KBU	bulk	400PCS/Box 2400PCS/Carton

Package Dimensions

KBU

Dim.	Millimeter(mm)		Dimensions inInch	
	Min.	Max.	Min.	Max.
A	18.8	19.8	0.74	0.78
B	20.0	/	0.79	/
C	1.2	1.3	0.05	0.05
D	4.6	5.6	0.18	0.22
E	6.8	7.1	0.27	0.28
F	4.6	5.0	0.18	0.20
G	22.7	23.7	0.89	0.93

The drawing shows the following dimensions:

- A: Overall height
- B: Height from the top surface to the top of the leads
- C: Lead diameter (DIA)
- D: Lead pitch
- E: Lead length
- F: Lead thickness
- G: Overall width

Disclaimer

The information presented in this document is for reference only. GuangDong Youfeng Microelectronics Co.,Ltd. reserves the right to make changes without notice for the specification of the products displayed herein to improve reliability, function or design or otherwise. The product listed herein is designed to be used with ordinary electronic equipment or devices, and not designed to be used with equipment or devices which require high level of reliability and the malfunction of which would directly endanger human life (such as medical instruments, transportation equipment, aerospace machinery, nuclear-reactor controllers, fuel controllers and other safety devices), YFW or anyone on its behalf, assumes no responsibility or liability for any damages resulting from such improper use of sale. This publication supersedes & replaces all information previously supplied. For additional information, please visit our website <https://www.yfwdiode.com>, or consult YFW sales office for further assistance.