

**6.0A GLASS PASSIVATED BRIDGE RECTIFIER**

**Reverse Voltage - 100 to 1000 V**

**Forward Current – 6.0A**

**FEATURES**

- ◆ Surge overload rating-200 amperes peak
- ◆ Polarity:As marked on body
- ◆ Ideal for printed circuit board
- ◆ Plastic material has U/L

The flammability classification 94V-0

- ◆ Reliable low cost construction utilizing molded plastic technique

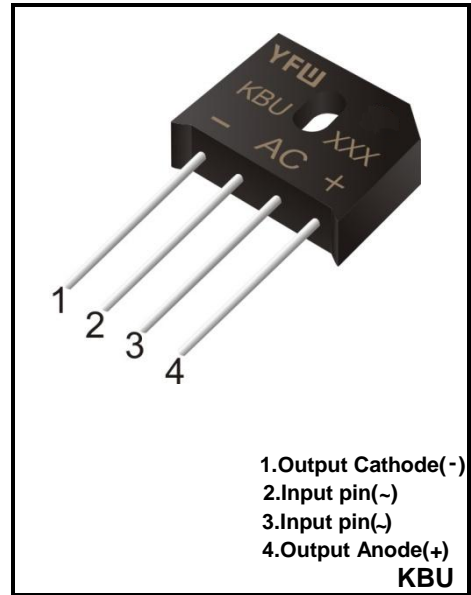
**MECHANICAL DATA**

- ◆ Case: KBU
- ◆ Terminals: Solderable per MIL-STD-202, Method 208
- ◆ Approx. Weight: 8.0g /0.3oz

**Maximum Ratings and Electrical characteristics**

Ratings at 25 °C ambient temperature unless otherwise specified.

Single phase half-wave 60 Hz, resistive or inductive load, for capacitive load current derate by 20 %.



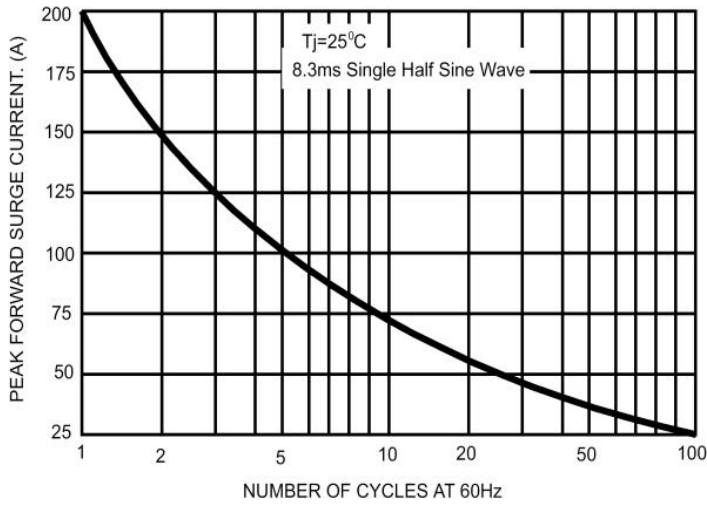
Parameter	Symbols	KBU601	KBU602	KBU604	KBU606	KBU608	KBU610	Units
Maximum Repetitive Peak Reverse Voltage	$V_{RRM}$	100	200	400	600	800	1000	V
Maximum RMS voltage	$V_{RMS}$	70	140	280	420	560	700	V
Maximum DC Blocking Voltage	$V_{DC}$	100	200	400	600	800	1000	V
Maximum Average Forward Rectified Current at $T_C=100^{\circ}C$ (Note 1)	$I_{(AV)}$	6.0						A
Peak Forward Surge Current 8.3 ms Single Half Sine-Wave Superimposed on Rated Load (JEDEC method)	$I_{FSM}$	200						A
Forward Voltage per element at 3.0A DC and 25°C	$V_F$	1.0						V
Maximum DC Reverse Current at Rated DC Blocking Voltage @Ta=25°C @Ta=125°C	$I_R$	10 500						$\mu A$
I2t Rating for Fusing(3ms≤t≤8.3ms)	$I^2t$	166						A <sup>2</sup> S
Typical Thermal Resistance (Note2)	$R_{\theta JA}/R_{\theta JC}$	8.6/3.1						°C/W
Operating and Storage Temperature Range	$T_j, T_{stg}$	-55 ~ +150						°C

(1) Measured at 1 MHz and applied reverse voltage of 4 V D.C

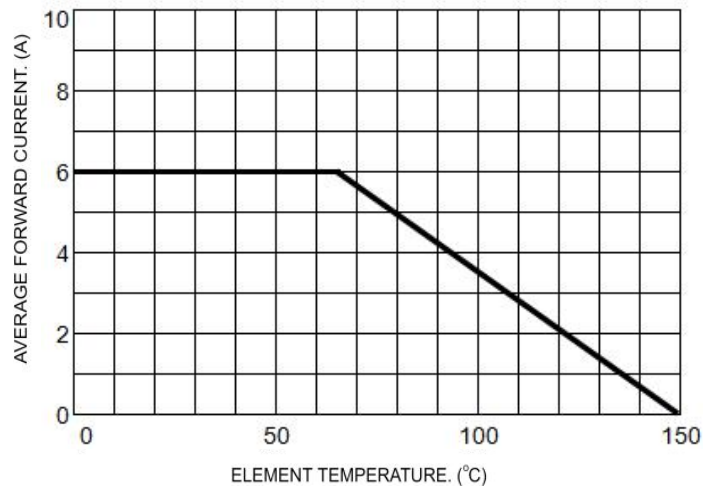
(2) Unit case mounted on 4" x 6" x 0.25" Al plate heat sink.

**Ratings And Characteristic Curves**

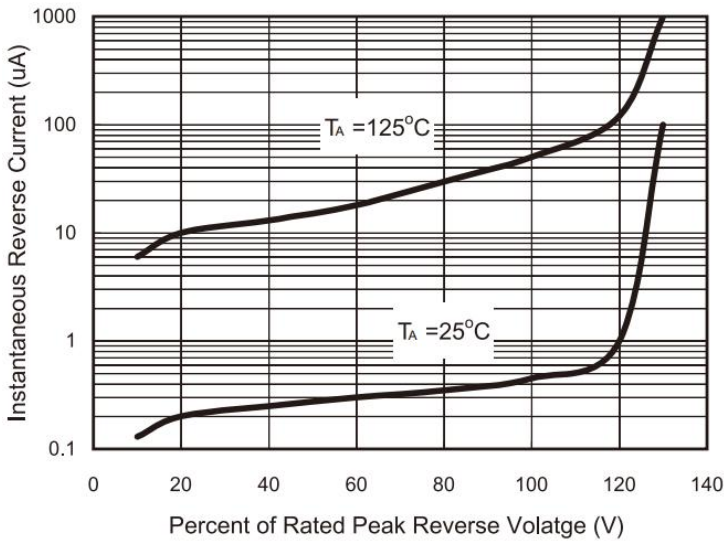
**FIG.1- MAXIMUM NON-REPETITIVE FORWARD SURGE CURRENT PER BRIDGE ELEMENT**



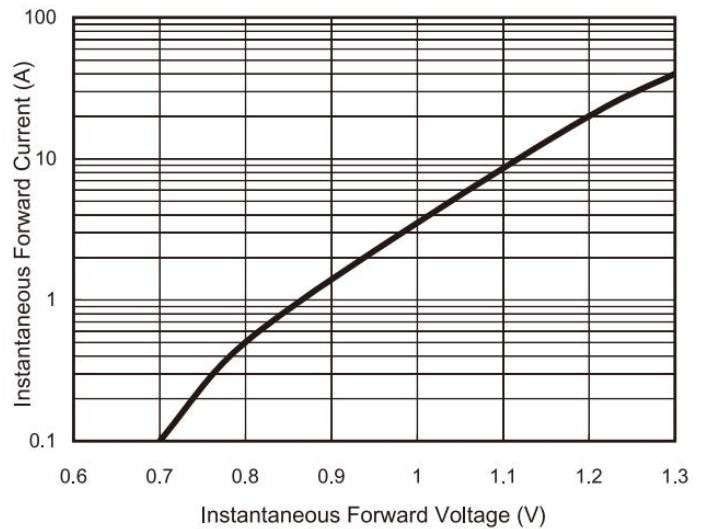
**FIG.2- MAXIMUM FORWARD CURRENT DERATING CURVE**



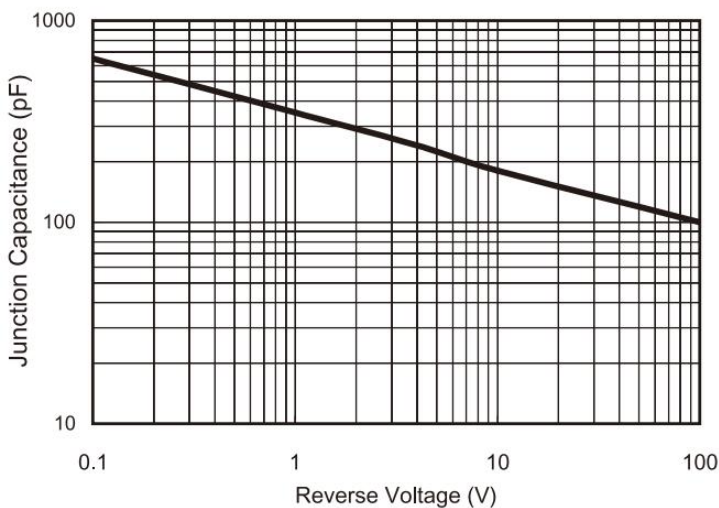
**FIG 3 Typical Reverse Leakage Characteristics per Leg**



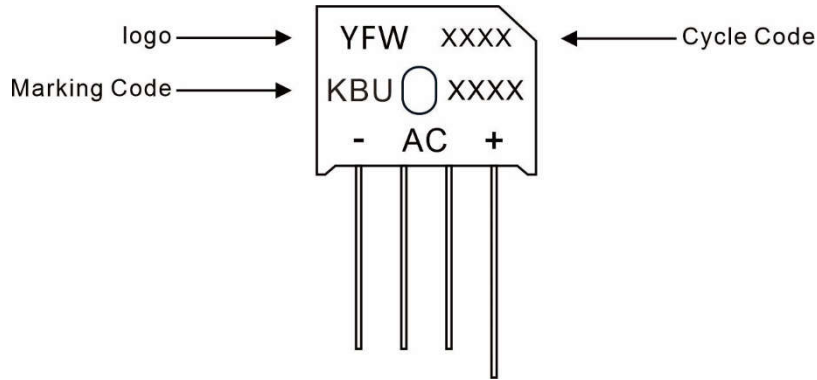
**FIG 4 Typical Forward Characteristics per Leg.**



**FIG 5 Typical Junction Capacitance**



**Marking Diagram**



**Ordering information**

Package	Packing Description	Packing Quantity
KBU	bulk	400PCS/Box 2400PCS/Carton

**Package Dimensions**

**KBU**

Dim.	Millimeter(mm)		Dimensions inInch	
	Min.	Max.	Min.	Max.
A	18.8	19.8	0.74	0.78
B	20.0	/	0.79	/
C	1.2	1.3	0.05	0.05
D	4.6	5.6	0.18	0.22
E	6.8	7.1	0.27	0.28
F	4.6	5.0	0.18	0.20
G	22.7	23.7	0.89	0.93

3.8 × 5.7 HOLE THRU  
 8.2  
 A  
 B  
 C  
 D  
 E  
 F  
 G  
 DIA

## Disclaimer

The information presented in this document is for reference only. GuangDong Youfeng Microelectronics Co.,Ltd. reserves the right to make changes without notice for the specification of the products displayed herein to improve reliability, function or design or otherwise. The product listed herein is designed to be used with ordinary electronic equipment or devices, and not designed to be used with equipment or devices which require high level of reliability and the malfunction of which would directly endanger human life (such as medical instruments, transportation equipment, aerospace machinery, nuclear-reactor controllers, fuel controllers and other safety devices), YFW or anyone on its behalf, assumes no responsibility or liability for any damages resulting from such improper use of sale. This publication supersedes & replaces all information previously supplied. For additional information, please visit our website <https://www.yfwdiode.com>, or consult YFW sales office for further assistance.