

**Super Fast Recovery Rectifier Diode**

**Reverse Voltage - 600 V**

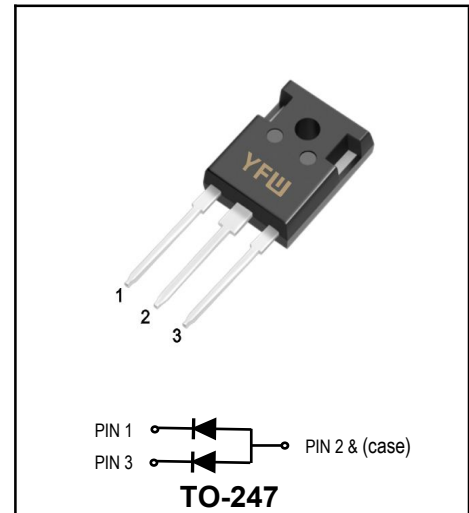
**Forward Current - 60 A**

**FEATURES**

- ◆ Super fast switching for high efficiency.
- ◆ Low reverse leakage.
- ◆ High forward surge current capability.
- ◆ RoHs Product.

**APPLICATIONS**

◆ Mainly used in switching power supply, PWM pulse width modulator, inverter as a freewheeling and other electronic circuits, high-frequency rectifier diode, diode or damping diode use



**Primary Characteristic**

<b>I<sub>F</sub></b>	<b>2*30A</b>
<b>V<sub>RRM</sub></b>	<b>600V</b>
<b>I<sub>FSM</sub></b>	<b>380*2A</b>
<b>V<sub>F</sub></b>	<b>1.85V</b>
<b>T<sub>J</sub> Max</b>	<b>125°C</b>

**Maximum Ratings (Per Leg) at Ta=25°C unless otherwise specified**

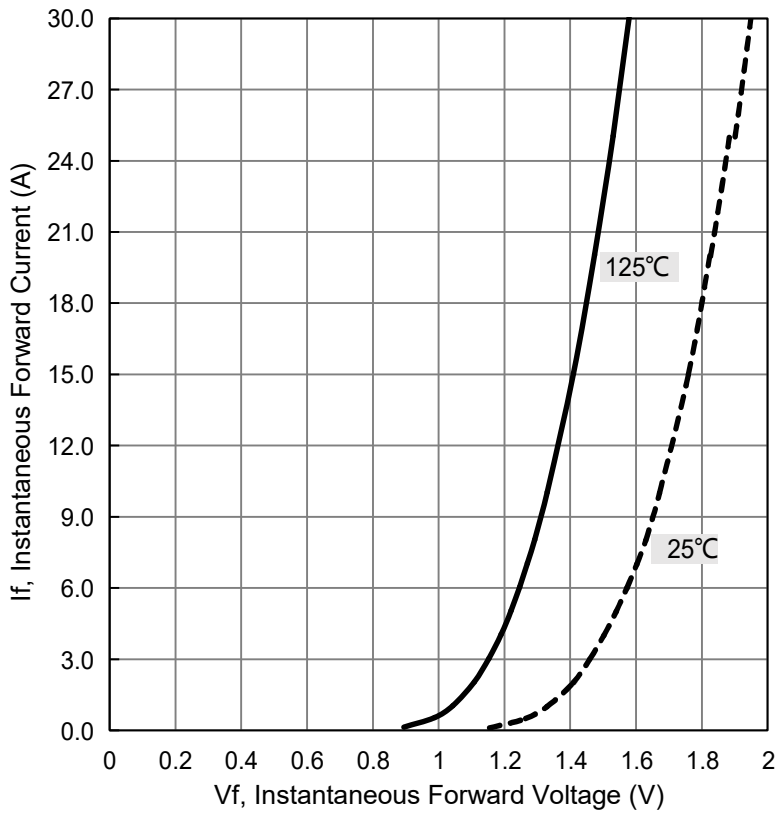
Parameter	Symbols	Value	Units
Maximum Repetitive Peak Reverse Voltage	<b>V<sub>RRM</sub></b>	600	<b>V</b>
Maximum RMS voltage	<b>V<sub>RMS</sub></b>	420	<b>V</b>
Maximum DC Blocking Voltage	<b>V<sub>DC</sub></b>	600	<b>V</b>
Maximum Average Forward Rectified Current	per device	60	<b>A</b>
	per diode	30	
Peak Forward Surge Current, 8.3ms Single Half Sine-wave	<b>I<sub>FSM</sub></b>	380*2	<b>A</b>
Operating Temperature Range	<b>T<sub>J</sub></b>	-40 ~ +125	<b>°C</b>
Storage Temperature Range	<b>T<sub>STG</sub></b>	-40 ~ +125	<b>°C</b>
Typical Thermal Resistance (Note2)	<b>R<sub>θJC</sub></b>	0.5	<b>°C/W</b>

**Electrical Characteristics (Per Leg) unless otherwise specified**

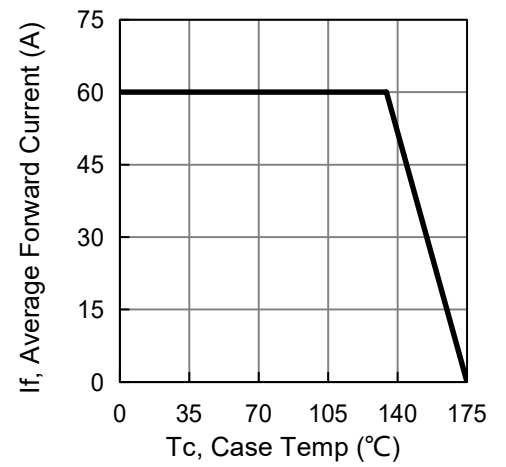
Characteristics	Symbols	Value	Units
Typical Forward Voltage at IF=30A	<b>V<sub>F</sub></b>	1.85	<b>V</b>
Max. DC Reverse Current at Rated DC Blocking Voltage	<b>I<sub>R</sub></b>	T <sub>A</sub> =25°C	0.01
		T <sub>A</sub> =125°C	0.10
Maximum Reverse Recovery Time at IF=0.5A IR=1.0A IREC=0.25A	<b>T<sub>RR</sub></b>	≤50	<b>nS</b>

**Ratings and Characteristic Curves**

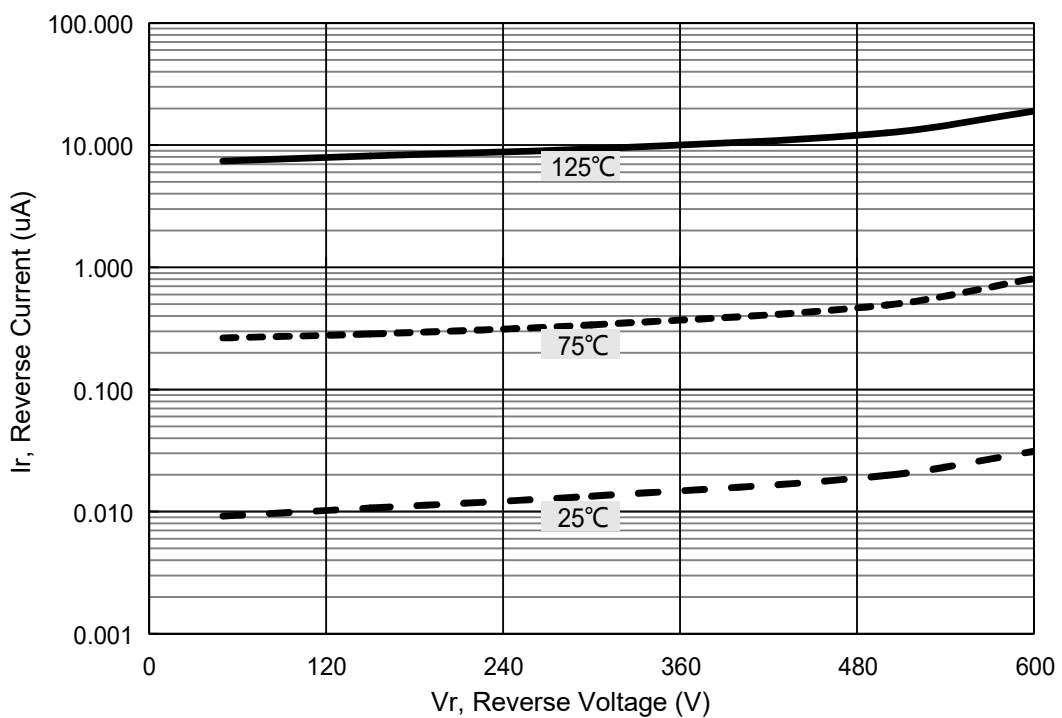
**The forward voltage and forward current curve**



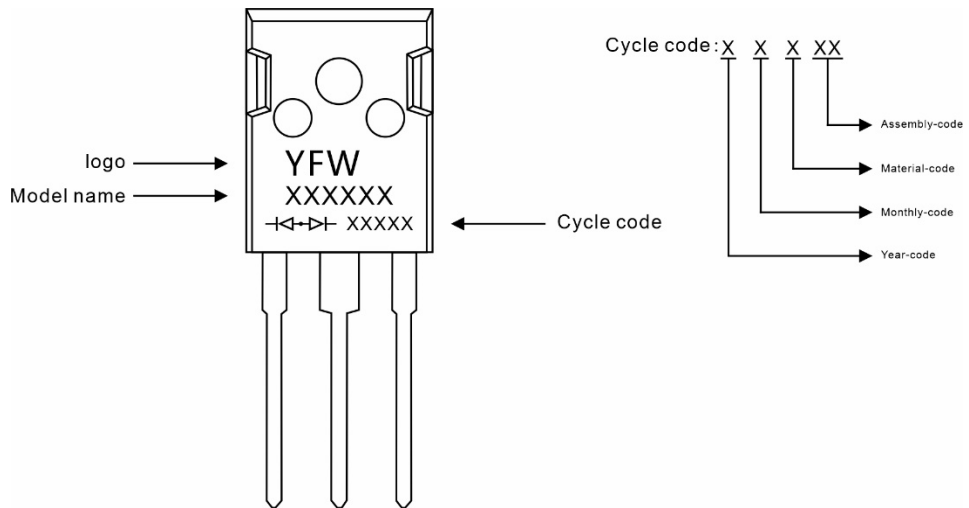
**Current derating curve, per element**



**The reverse leak current and the reverse voltage (single-device) curve.**



**Marking Diagram**



**Ordering information**

Model name	Package	Unit Weight	Base Quantity	Packing Quantity
MUR6060SPTR	TO-247	0.209oz(5.93g)	30pcs/tube	600PCS/Box 2400PCS/Carton

**Package Dimensions**

**TO-247**

Symbol	Dimensions in mm		Dimensions in Inch	
	Min.	Max.	Min.	Max.
A	4.90	5.10	0.193	0.201
A1	1.90	2.10	0.075	0.083
A2	2.29	2.54	0.090	0.100
b	1.00	1.40	0.039	0.055
b1	2.00	2.20	0.079	0.087
b2	3.00	3.20	0.118	0.126
c	0.50	0.70	0.020	0.028
D	15.75	16.05	0.620	0.632
E	20.20	20.80	0.795	0.819
e	5.45 (BSC)		0.215 (BSC)	
e1	10.90 (BSC)		0.429 (BSC)	
F	6.05	6.25	0.238	0.246
F1	5.80	6.00	0.228	0.236
L	20.10	20.40	0.791	0.803
L1	4.05	4.35	0.159	0.171
Φ	3.50	3.70	0.138	0.146

## Disclaimer

The information presented in this document is for reference only. Guangdong Youfeng Microelectronics Co.,Ltd. reserves the right to make changes without notice for the specification of the products displayed herein to improve reliability, function or design or otherwise. The product listed herein is designed to be used with ordinary electronic equipment or devices, and not designed to be used with equipment or devices which require high level of reliability and the malfunction of which would directly endanger human life (such as medical instruments, transportation equipment, aerospace machinery, nuclear-reactor controllers, fuel controllers and other safety devices), YFW or anyone on its behalf, assumes no responsibility or liability for any damages resulting from such improper use of sale. This publication supersedes & replaces all information previously supplied. For additional information, please visit our website <https://www.yfwdiode.com>, or consult YFW sales office for further assistance.