

Glass Passivated Three Phase Rectifier Bridge

VRRM = 1200 V - 1800V

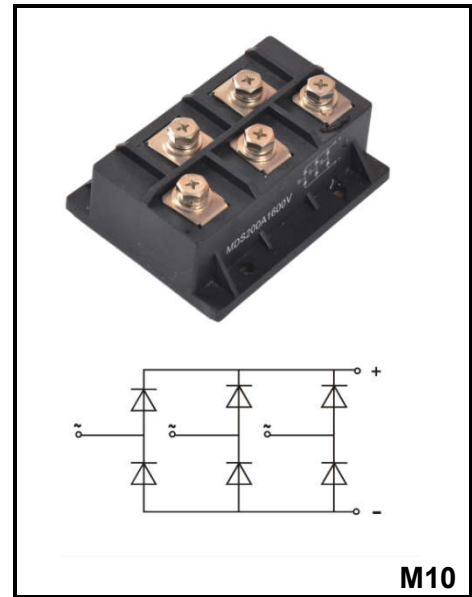
IF(AV) = 200 A

FEATURES

- ◆ Three phase bridge rectifier
- ◆ Blocking voltage: 1200 to 1800V
- ◆ Heat transfer through aluminum oxide DBC
- ◆ ceramic isolated metal baseplate
- ◆ Glass passivated chip

Applications

- ◆ Three phase rectifiers for power supplies
- ◆ Rectifiers for DC motor field supplies
- ◆ Battery charger rectifiers
- ◆ Input rectifiers for variable frequency drives



Maximum ratings, at Tj = 25 °C, unless otherwise specified

Parameter	Symbols	MDS200-12	MDS200-16	MDS200-18	Units
Maximum Repetitive Peak Reverse Voltage	V_{RRM}	1200	1600	1800	V
Maximum RMS voltage	V_{RSM}	1300	1700	1900	V

Symbol	Conditions	Values			Units
		MIN.	TYP.	MAX.	
I_D	Three phase, full wave Tc=100°C	200			A
I_{FSM}	t=10mS Tvj =45°C	2240			A
I_{2t}	t=10mS Tvj =45°C	25000			A2s
$Visol$	a.c.50HZ;r.m.s.;1min	300			V
Tvj		-40 to +150			°C
$Tstg$		-40 to +125			°C
M_T	To terminals(M6)	5±15%			Nm
M_s	To heatsink(M6)	5±15%			Nm
Weight	Module (Approximately)	220			g
Rth(j-c)	Module	0.10			°C/W
Rth(c-s)	Module	0.025			°C/W
Symbol	Conditions	Values			
V_{FM}	T=25°C IF =200A	-	1.45	1.70	V
I_{RD}	Tvj=25°C $V_{RD}=V_{RRM}$ Tvj=150°C $V_{RD}=V_{RRM}$	-	-	16 8	uA mA

RATINGS AND CHARACTERISTIC CURVES

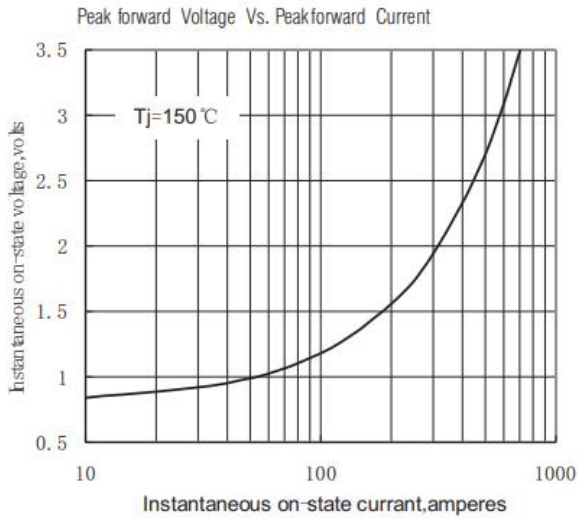


Fig. 1

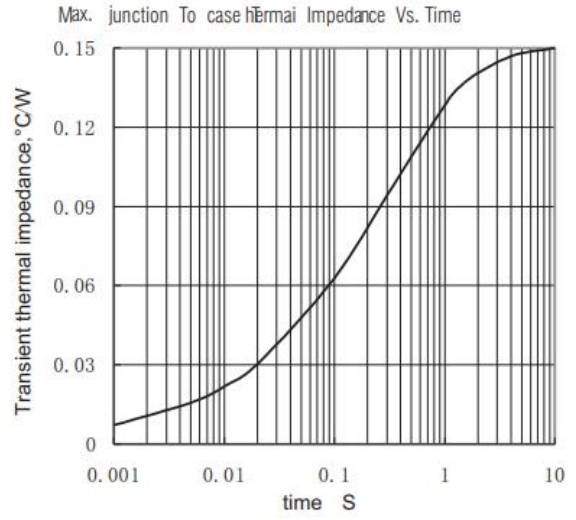
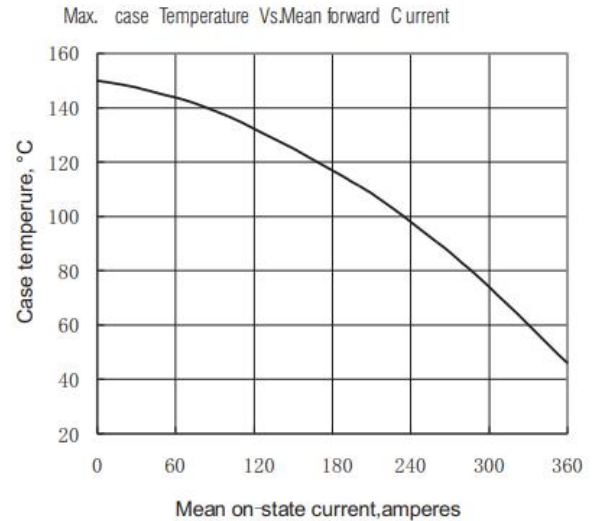
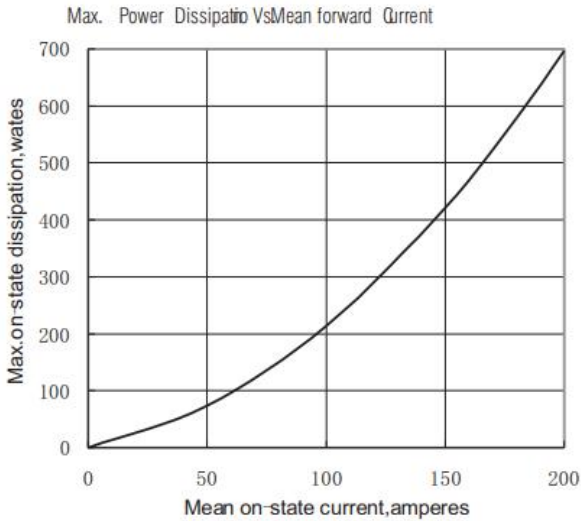


Fig. 2

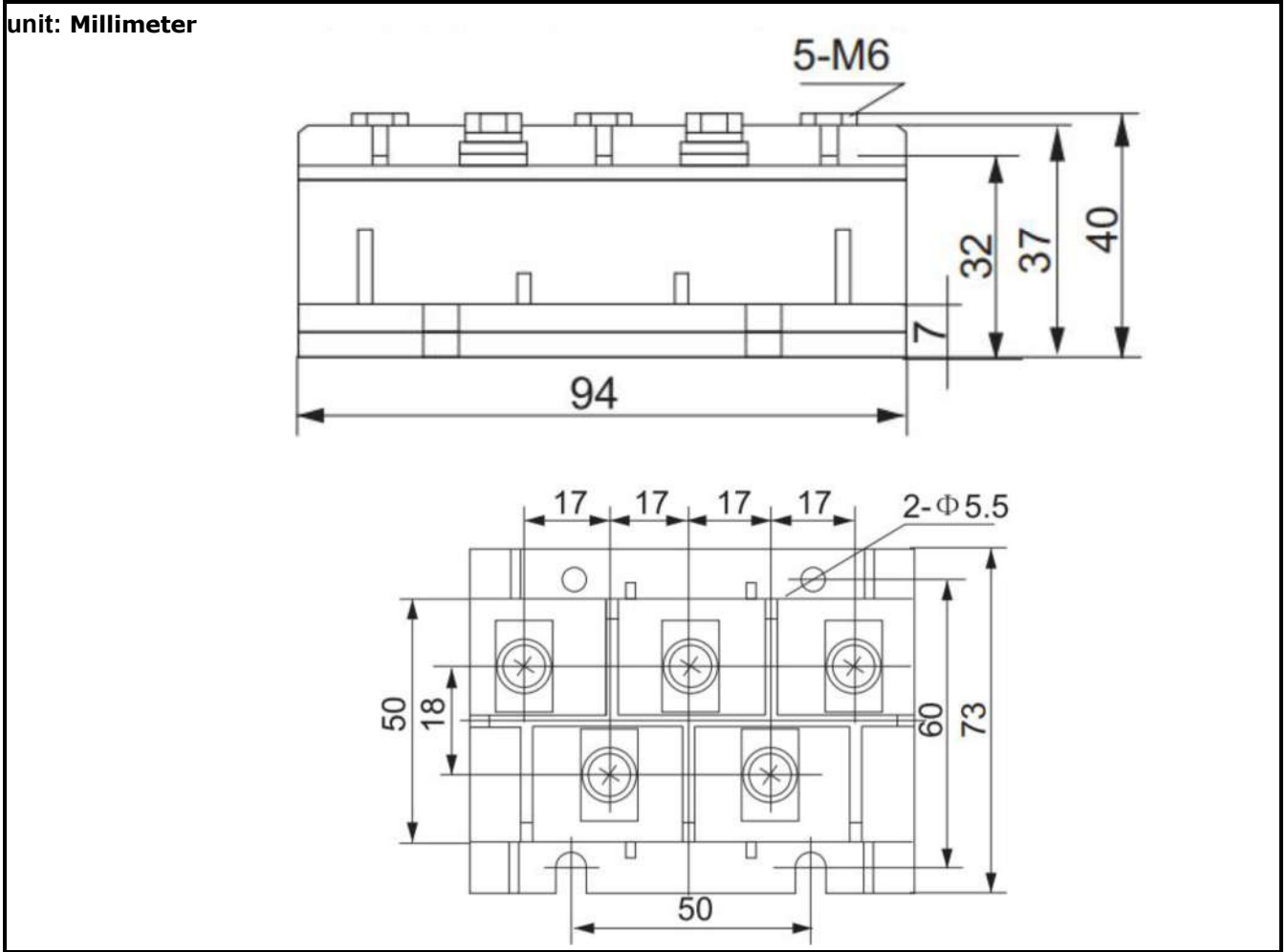


Ordering information

Model name	Package	Unit Weight	Base Quantity
MDS200-XX	M10	-	4pcs/ Box

Package Dimensions

M10



Disclaimer

The information presented in this document is for reference only. Guangdong Youfeng Microelectronics Co.,Ltd. reserves the right to make changes without notice for the specification of the products displayed herein to improve reliability, function or design or otherwise. The product listed herein is designed to be used with ordinary electronic equipment or devices, and not designed to be used with equipment or devices which require high level of reliability and the malfunction of which would directly endanger human life (such as medical instruments, transportation equipment, aerospace machinery, nuclear-reactor controllers, fuel controllers and other safety devices), YFW or anyone on its behalf, assumes no responsibility or liability for any damages resulting from such improper use of sale. This publication supersedes & replaces all information previously supplied. For additional information, please visit our website <https://www.yfwdiode.com>, or consult YFW sales office for further assistance.