

Surface mount transient voltage suppressor power 400 watts

Stand-Off Voltage: 6.8V~600V

FEATURES

- ◆For surface mounted applications in order to optimize board space.
- ◆Low profile package.
- ◆Glass passivated junction.
- ◆Low inductance.
- ◆Plastic package has Underwriters Laboratory Flammability.

MECHANICAL DATA

- ◆Case: DO-214AC/SMA
- ◆Terminals: Solderable per MIL-STD-750, Method 2026
- ◆Approx. Weight: 0.07g / 0.002oz

Maximum Ratings and Electrical characteristics

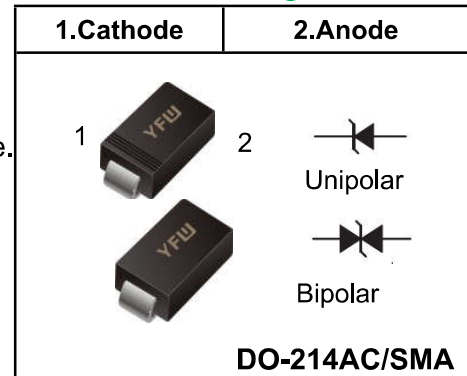
Ratings at 25 ambient temperature unless otherwise specified.

Parameter	Symbol	Value	Unit
Peak Pulse Power Dissipation on TA=25°C (Note 1,2,5, Fig1)	P _{PPM}	400	W
Peak Forward Surge Current (Note3, Note4)	I _{FSM} (UNI)	60	A
Peak Pulse Current on 10/1000 us waveform (Note 1) Fig 3	I _{PPM}	see Table 1	A
ESD Voltage per IEC6100-4-2	Contact	±30	kV
	Air	±30	
Typical Junction Capacitance at VR=4V, f=1MHz	C _j	390	pF
Typical Thermal Resistance Junction to Ambient(Note 2)	R _{θJA}	120	°C/W
Operating Junction Temperature and Storage Temperature Range	T _J , T _{STG}	-55 to +150	°C

NOTES:

1. Non-repetitive current pulse, per Fig.3 and derated above T_A = 25°C per Fig. 2.
2. Mounted on 5mm² copper pads to each terminal.
3. Peak Forward Surge Current : 8.3ms single half sine-wave Superimposed on rated load (JEDEC method).
4. Peak pulse power waveform is 10/1000µS.

Pinning



Characteristics at Ta=25°C

Type		Marking		V _{RMW}	Breakdown Voltage		Test Current	Max. Reverse Leakage	Max. Clamp Voltage	Max. Peak Pulse Current
					V _{BR} @ I _T					
					Min	Max	I _T	IR@VR	V _C @ I _{PP}	I _{PP}
UNI	BI	UNI	BI	V	V	V	mA	μA	V	A
P4SMA6.8A	P4SMA6.8CA	6V8A	6V8C	5.8	6.45	7.14	10	1000	10.5	39
P4SMA7.5A	P4SMA7.5CA	7V5A	7V5C	6.4	7.13	7.88	10	500	11.3	36.3
P4SMA8.2A	P4SMA8.2CA	8V2A	8V2C	7.02	7.79	8.61	10	200	12.1	33.9
P4SMA9.1A	P4SMA9.1CA	9V1A	9V1C	7.78	8.65	9.55	1	50	13.4	30.6
P4SMA10A	P4SMA10CA	10A	10C	8.55	9.5	10.5	1	10	14.5	28.3
P4SMA11A	P4SMA11CA	11A	11C	9.4	10.5	11.6	1	5	15.6	26.3
P4SMA12A	P4SMA12CA	12A	12C	10.2	11.4	12.6	1	5	16.7	24.6
P4SMA13A	P4SMA13CA	13A	13C	11.1	12.4	13.7	1	1	18.2	22.5
P4SMA15A	P4SMA15CA	15A	15C	12.8	14.3	15.8	1	1	21.2	19.3
P4SMA16A	P4SMA16CA	16A	16C	13.6	15.2	16.8	1	1	22.5	18.2
P4SMA18A	P4SMA18CA	18A	18C	15.3	17.1	18.9	1	1	25.5	16.1
P4SMA20A	P4SMA20CA	20A	20C	17.1	19	21	1	1	27.7	14.8
P4SMA22A	P4SMA22CA	22A	22C	18.8	20.9	23.1	1	1	30.6	13.4
P4SMA24A	P4SMA24CA	24A	24C	20.5	22.8	25.2	1	1	33.2	12.3
P4SMA27A	P4SMA27CA	27A	27C	23.1	25.7	28.4	1	1	37.5	10.9
P4SMA30A	P4SMA30CA	30A	30C	25.6	28.5	31.5	1	1	41.4	9.9
P4SMA33A	P4SMA33CA	33A	33C	28.2	31.4	34.7	1	1	45.7	9
P4SMA36A	P4SMA36CA	36A	36C	30.8	34.2	37.8	1	1	49.9	8.2
P4SMA39A	P4SMA39CA	39A	39C	33.3	37.1	41	1	1	53.9	7.6
P4SMA43A	P4SMA43CA	43A	43C	36.8	40.9	45.2	1	1	59.3	6.9
P4SMA47A	P4SMA47CA	47A	47C	40.2	44.7	49.4	1	1	64.8	6.3
P4SMA51A	P4SMA51CA	51A	51C	43.6	48.5	53.6	1	1	70.1	5.8
P4SMA56A	P4SMA56CA	56A	56C	47.8	53.2	58.8	1	1	77	5.3
P4SMA62A	P4SMA62CA	62A	62C	53	58.9	65.1	1	1	85	4.8
P4SMA68A	P4SMA68CA	68A	68C	58.1	64.6	71.4	1	1	92	4.5
P4SMA75A	P4SMA75CA	75A	75C	64.1	71.3	78.8	1	1	103	4
P4SMA82A	P4SMA82CA	82A	82C	70.1	77.9	86.1	1	1	113	3.6
P4SMA91A	P4SMA91CA	91A	91C	77.8	86.5	95.5	1	1	125	3.3
P4SMA100A	P4SMA100CA	100A	100C	85.5	95	105	1	1	137	3
P4SMA110A	P4SMA110CA	110A	110C	94	105	116	1	1	152	2.7
P4SMA120A	P4SMA120CA	120A	120C	102	114	126	1	1	165	2.5
P4SMA130A	P4SMA130CA	130A	130C	111	124	137	1	1	179	2.3
P4SMA150A	P4SMA150CA	150A	150C	128	143	158	1	1	207	2
P4SMA160A	P4SMA160CA	160A	160C	136	152	168	1	1	219	1.9
P4SMA170A	P4SMA170CA	170A	170C	145	162	179	1	1	234	1.8
P4SMA180A	P4SMA180CA	180A	180C	154	171	189	1	1	246	1.7
P4SMA200A	P4SMA200CA	200A	200C	171	190	210	1	1	274	1.5
P4SMA220A	P4SMA220CA	220A	220C	185	209	231	1	1	328	1.3
P4SMA250A	P4SMA250CA	250A	250C	214	237	263	1	1	344	1.2
P4SMA300A	P4SMA300CA	300A	300C	256	285	315	1	1	414	1
P4SMA350A	P4SMA350CA	350A	350C	300	332	368	1	1	482	0.9
P4SMA400A	P4SMA400CA	400A	400C	342	380	420	1	1	548	0.8
P4SMA440A	P4SMA440CA	440A	440C	376	418	462	1	1	602	0.7
P4SMA480A	P4SMA480CA	480A	480C	408	456	504	1	1	658	0.6
P4SMA510A	P4SMA510CA	510A	510C	434	485	535	1	1	698	0.6
P4SMA530A	P4SMA530CA	530A	530C	451	503.5	556.5	1	1	725	0.6
P4SMA540A	P4SMA540CA	540A	540C	460	513	567	1	1	740	0.5
P4SMA550A	P4SMA550CA	550A	550C	468	522.5	577.5	1	1	760	0.5
P4SMA600A	P4SMA600CA	600A	600C	513	570	630	1	1	828	0.48

Ratings And Characteristic Curves

Fig.1 Peak Pulse Power Rating Curve

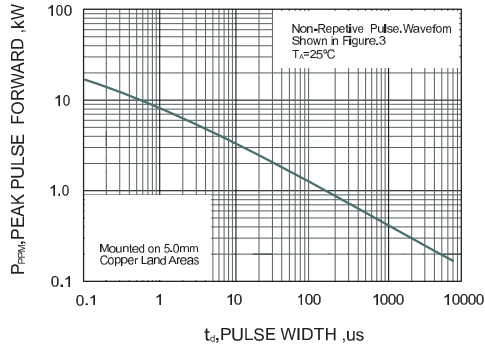


Fig.2 Forward Current Derating Curve

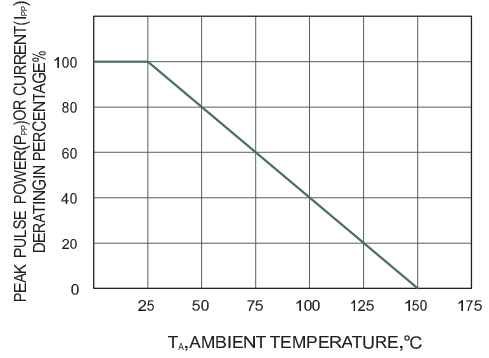


Fig.3 Pulse Waveform

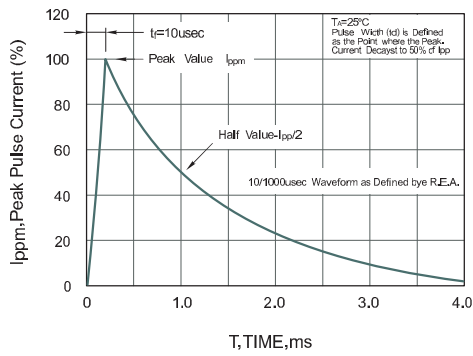
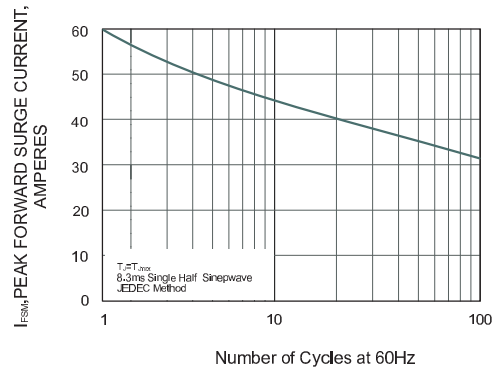


Fig.4 Maximum Non-Repetitive Peak Forward Surge Current



Marking Diagram



Ordering information

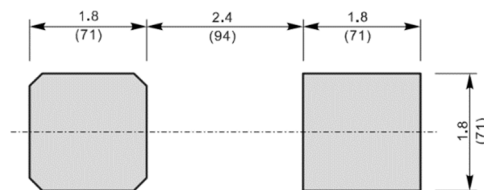
Package	Packing Description	Packing Quantity
DO-214AC SMA	Tape/Reel, 13"reel	5000PCS/Reel 50000PCS/Carton

Package Dimensions

DO-214AC SMA

Dim.	Millimeter(mm)		mil	
	Min.	Max.	Min.	Max.
A	1.9	2.45	75	96
D	4.0	4.5	157	181
E	2.5	2.8	100	110
H _E	4.7	5.2	185	205
c	0.15	0.31	6	12
e	1.3	1.8	51	71
g	0.9	1.5	35	59
b	0.05	0.2	2	7.9
a	0.3		12	

The recommended mounting pad size



Unit : $\frac{\text{mm}}{\text{mil}}$

Disclaimer

The information presented in this document is for reference only. GuangDong Youfeng Microelectronics Co.,Ltd. reserves the right to make changes without notice for the specification of the products displayed herein to improve reliability, function or design or otherwise. The product listed herein is designed to be used with ordinary electronic equipment or devices, and not designed to be used with equipment or devices which require high level of reliability and the malfunction of with would directly endanger human life (such as medical instruments, transportation equipment, aerospace machinery, nuclear-reactor controllers, fuel controllers and other safety devices),YFW or anyone on its behalf, assumes no responsibility or liability for any damages resulting from such improper use of sale. This publication supersedes & replaces all information previously supplied. For additional information, please visit our website <https://www.yfwdiode.com>, or consult YFW sales office for further assistance.