

LOW VF SCHOTTKY RECTIFIERS

Reverse Voltage - 150 V

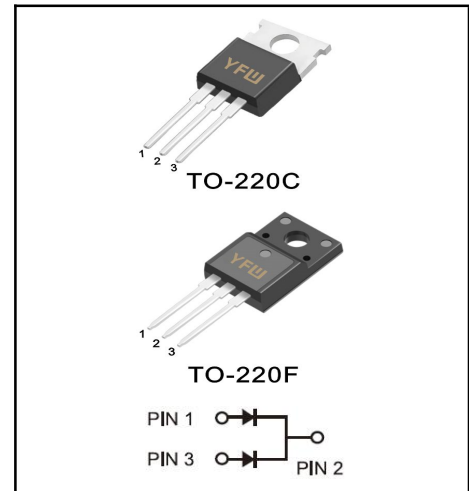
Forward Current - 10 A

FEATURES

- ◆Extremely Low Vf
- ◆Trench Mos Schottky Technology
- ◆Low Power Loss / High Efficiency
- ◆High Frequency Operation
- ◆Halogen Free
- ◆High Forward Surge Capability

MECHANICAL DATA

- ◆Case: Transfer Molded
- ◆Leads: Solderable Per Mil-Std-202, Method 208
- ◆Polarity: As Marked
- ◆Terminals: Puretin Plated



Primary Characteristic

I_o	2*5A
V_{RRM}	150V
I_{FSM}	150A
V_F	0.70V
$T_J \text{ Max}$	175°C

Maximum Ratings (Per Leg) at Ta=25°C unless otherwise specified

Parameter	Symbols	Value	Units
Maximum Repetitive Peak Reverse Voltage	V_{RRM}	150	V
Maximum RMS voltage	V_{RMS}	105	V
Maximum DC Blocking Voltage	V_{DC}	150	V
Maximum Average Forward Rectified Current See Fig.1 Per Leg	I_o	10 5	A
Peak Forward Surge Current, 8.3ms Single Half Sine-wave	I_{FSM}	150	A
Operating Temperature Range	T_J	-55 ~ +175	°C
Storage Temperature Range	T_{STG}	-55 ~ +150	°C
Typical Thermal Resistance Junction To Case Per Leg TO-220C, TO-220F	$R_{\theta JC}$	2.2/4.0	°C/W

Electrical Characteristics (Per Leg) unless otherwise specified

Characteristics		Symbols	Value		Units
Forward Voltage Drop		V_F	Typ	Max	V
at $I_F=5A$	TA=25°C		0.82	-	
	TA=125°C		0.70	-	
at $I_F=10A$	TA=25°C		0.92	-	
	TA=125°C	0.75	-		
Maximum Reverse Current at $V_R=150V$	TA=25°C	I_R	0.1	-	mA
	TA=125°C		10	-	mA

NOTES : 1. PULSE TEST: 300μS PULSE WIDTH, 1% DUTY CYCLE.

RATINGS AND CHARACTERISTIC CURVES

FIG. 1-FORWARD CURRENT DERATING CURVE

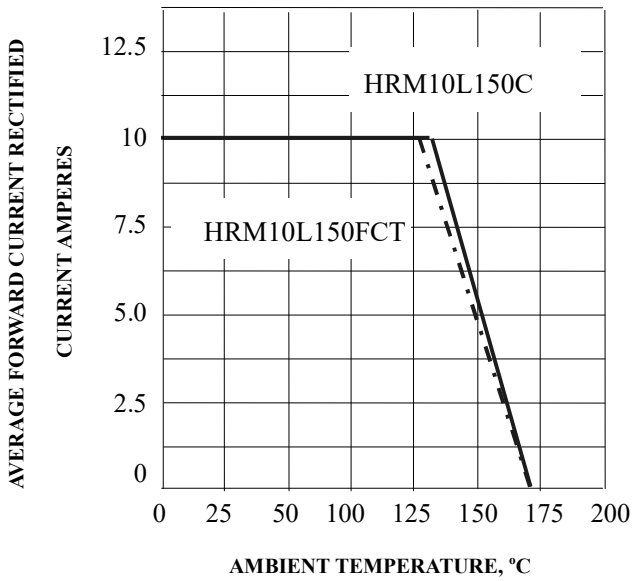


FIG. 3- TYPICAL REVERSE CHARACTERISTICS

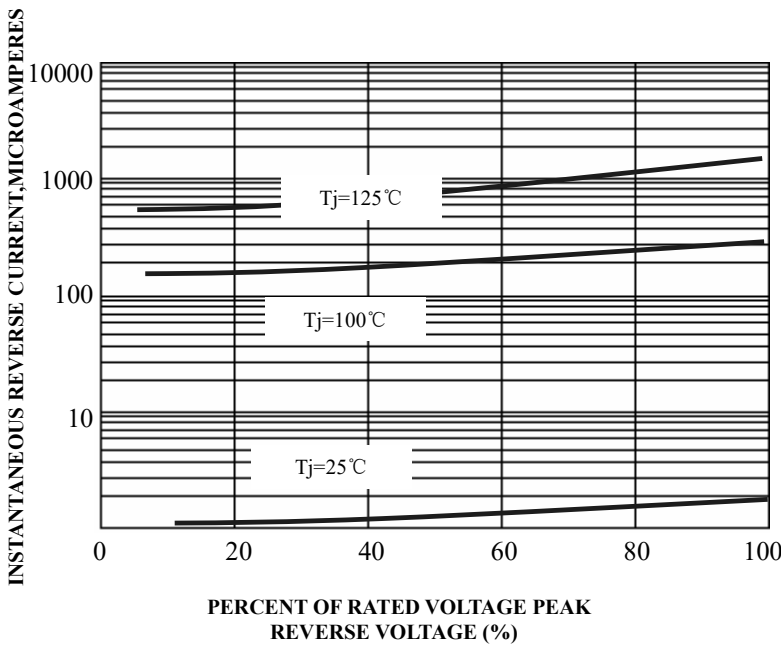


FIG. 2-MAXIMUM NON-REPETITIVE PEAK FORWARD SURGE RATING

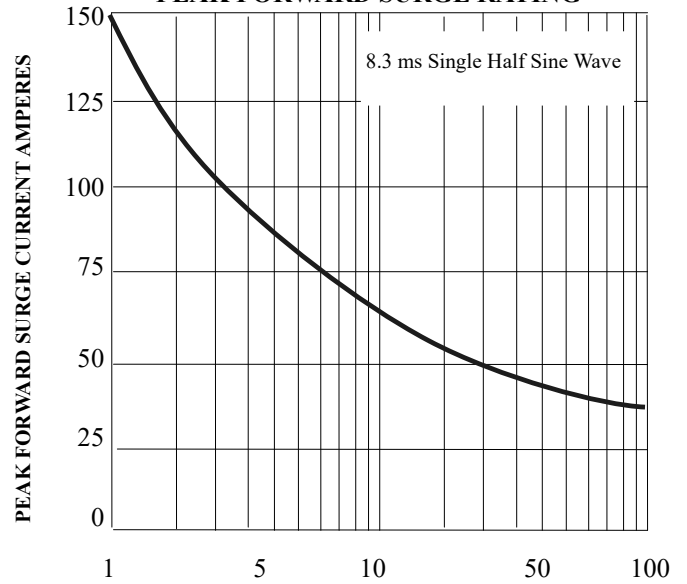
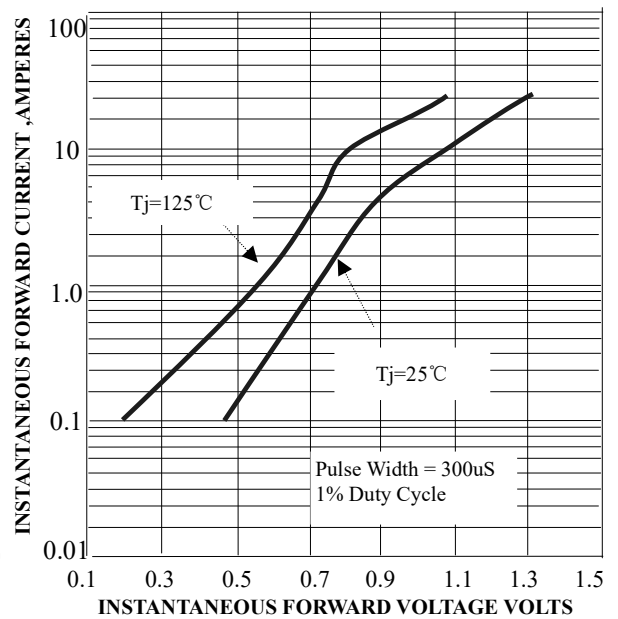
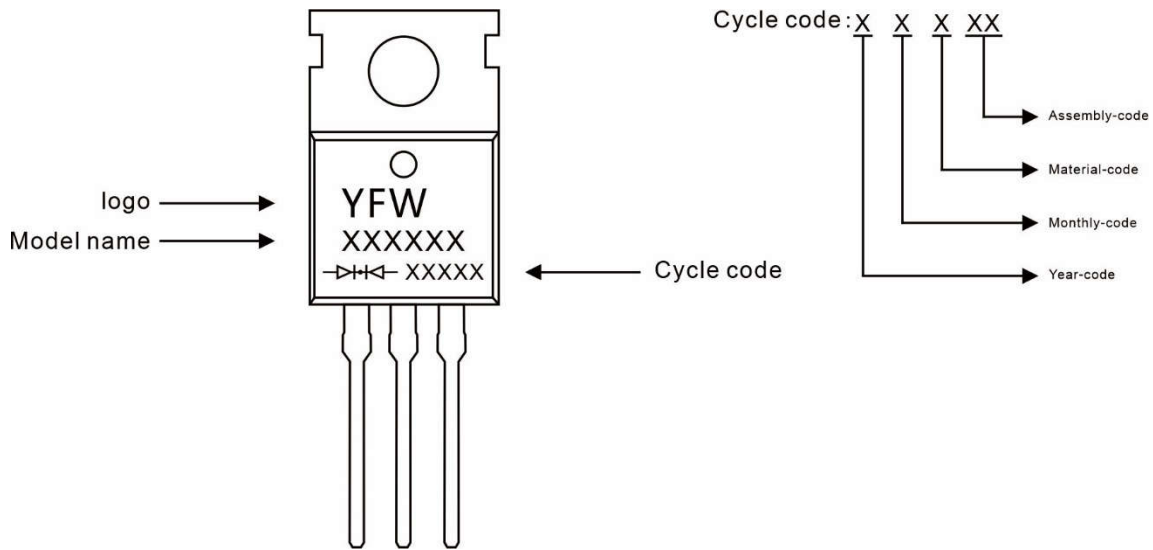


FIG. 4- TYPICAL INSTANTANEOUS FORWARD CHARACTERISTICS



Marking Diagram



Ordering information

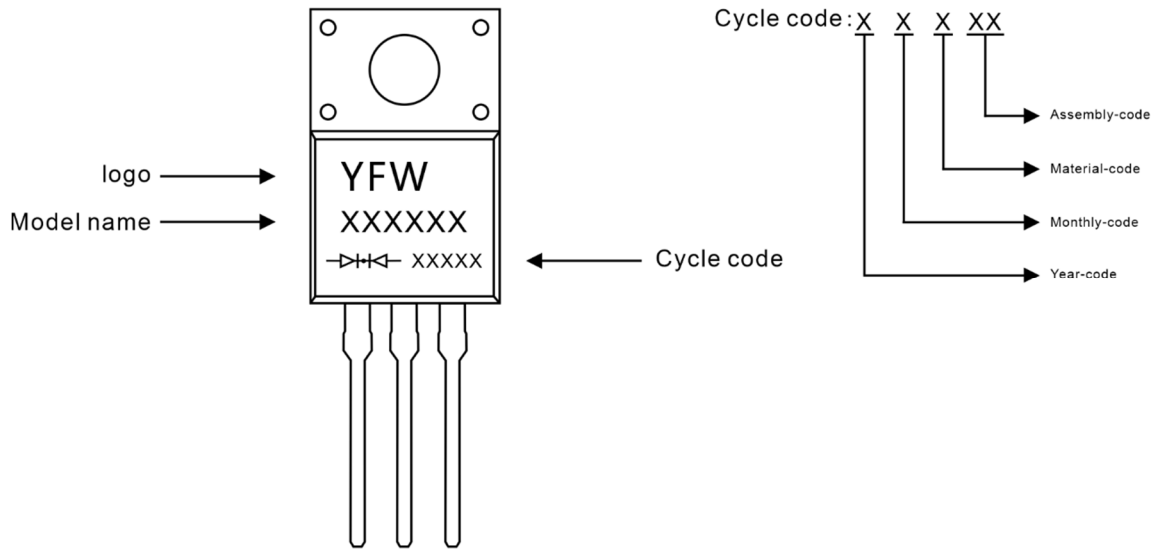
Model name	Package	Unit Weight	Base Quantity	Packing Quantity
HRM10L150C	TO-220C	0.07oz(1.96g)	50pcs/tube	1000PCS/Box 5000PCS/Carton

Package Dimensions

TO-220C

Dim	Millimeter		Inches	
	Min.	Max.	Min.	Max.
A	4.34	4.67	0.171	0.184
A1	2.52	2.82	0.099	0.111
b	0.71	0.91	0.028	0.036
b1	1.17	1.37	0.046	0.054
c	0.30	0.50	0.012	0.020
c1	1.17	1.37	0.046	0.054
D	9.90	10.20	0.390	0.402
E	8.50	8.90	0.335	0.350
E1	12.00	12.50	0.472	0.492
e	2.44	2.64	0.096	0.104
e1	4.88	5.28	0.192	0.208
F	2.60	2.80	0.102	0.110
L	13.20	13.80	0.520	0.543
L1	3.80	4.20	0.150	0.165
Φ	3.60	3.96	0.142	0.156

Marking Diagram



Ordering information

Model name	Package	Unit Weight	Base Quantity	Packing Quantity
HRM10L150FCT	TO-220F	0.06oz(1.74g)	50pcs/tube	1000PCS/Box 5000PCS/Carton

Package Dimensions

TO-220F

Symbol	Millimeter		Inches	
	Min.	Max.	Min.	Max.
A	4.50	4.90	0.177	0.193
A1	2.34	2.74	0.092	0.108
A2	2.66	2.86	0.105	0.113
b	0.75	0.85	0.030	0.033
b1	1.24	1.44	0.049	0.057
c	0.40	0.60	0.016	0.024
D	10.00	10.32	0.394	0.406
E	15.75	16.05	0.620	0.632
e	2.44	2.64	0.096	0.104
e1	4.88	5.28	0.192	0.208
F	3.10	3.5	0.122	0.138
L	13.50	13.90	0.531	0.547
L1	2.90	3.30	0.114	0.130
Φ	3.10	3.30	0.122	0.130

Disclaimer

The information presented in this document is for reference only. GuangDong Youfeng Microelectronics Co.,Ltd. reserves the right to make changes without notice for the specification of the products displayed herein to improve reliability, function or design or otherwise. The product listed herein is designed to be used with ordinary electronic equipment or devices, and not designed to be used with equipment or devices which require high level of reliability and the malfunction of with would directly endanger human life (such as medical instruments, transportation equipment, aerospace machinery, nuclear-reactor controllers, fuel controllers and other safety devices),YFW or anyone on its behalf, assumes no responsibility or liability for any damages resulting from such improper use of sale. This publication supersedes & replaces all information previously supplied. For additional information, please visit our website <https://www.yfwdiode.com>, or consult YFW sales office for further assistance.