

LOW VF SCHOTTKY RECTIFIER
Reverse Voltage - 60 V
Forward Current – 40A
FEATURES

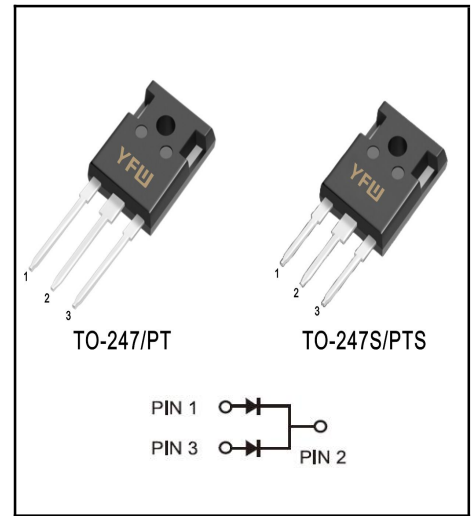
- ◆Low forward voltage
- ◆High current capability
- ◆High forward surge capability
- ◆Low power losses, High efficiency
- ◆Guarding for over voltage protection

MECHANICAL DATA

- ◆Case: TO-247/PT TO-247/PTS
- ◆Mounting Position: Any
- ◆Molded Plastic: UL Flammability Classification Rating 94V-0
- ◆Lead free in compliance with EU RoHS 2011/65/EU directive
- ◆Solder bath temperature 275°C maximum,10s per JESD 22-B106

Primary Characteristic

I_o	2*20A
V_{RRM}	60V
I_{FSM}	250A
V_F	0.49V
T_J Max	150°C


Maximum Ratings (Per Leg) at Ta=25°C unless otherwise specified

Parameter	Symbols	Value	Units
Maximum Repetitive Peak Reverse Voltage	V_{RRM}	60	V
Maximum RMS voltage	V_{RMS}	42	V
Maximum DC Blocking Voltage	V_{DC}	60	V
Maximum Average Forward Rectified Current	Per Leg	20	A
	Total	30	
Peak Forward Surge Current, 8.3ms Single Half Sine-wave	I_{FSM}	250	A
Operating Temperature Range	T_J	-55 ~ +150	°C
Storage Temperature Range	T_{STG}	-55 ~ +150	°C
Typical Thermal Resistance (Note1)	R_{θJC}	2	°C/W

Note1: Thermal resistance from Junction to case per leg mounted on heatsink.
Electrical Characteristics (Per Leg) unless otherwise specified

Characteristics	Symbols	Value		Units	
		Typ	Max		
Forward Voltage Drop(Note2) at I _F =5A at I _F =10A at I _F =20A	V_F	TA=25°C	0.38	-	V
		TA=125°C	0.28	-	
		TA=25°C	0.44	-	
		TA=125°C	0.36	-	
		TA=25°C	0.53	0.60	
		TA=125°C	0.49	-	
Maximum Reverse Current at V _R =60V	I_R	TA=25°C	75	200	uA
		TA=125°C	2.1	-	mA

Note2: Pulse test: 300 μs pulse width, 1 % duty cycle

RATINGS AND CHARACTERISTIC CURVES

FIG.1 MAXIMUM FORWARD CURRENT DERATING CURVE

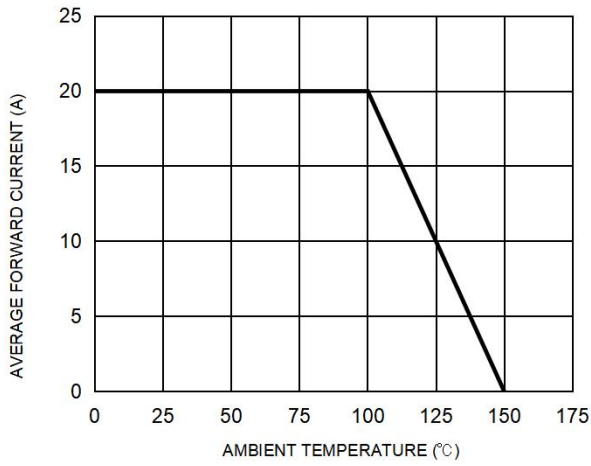


FIG. 2 MAXIMUM NON-REPETITIVE FORWARD SURGE CURRENT PER LEG

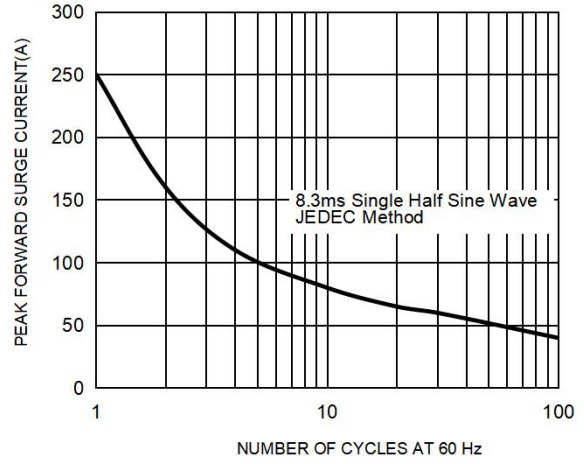


FIG. 3 TYPICAL FORWARD CHARACTERISTICS PER LEG

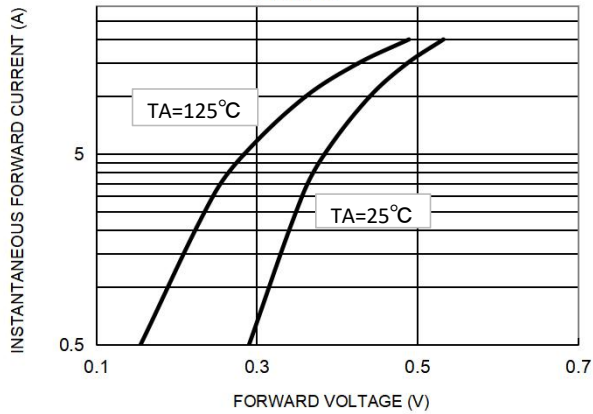
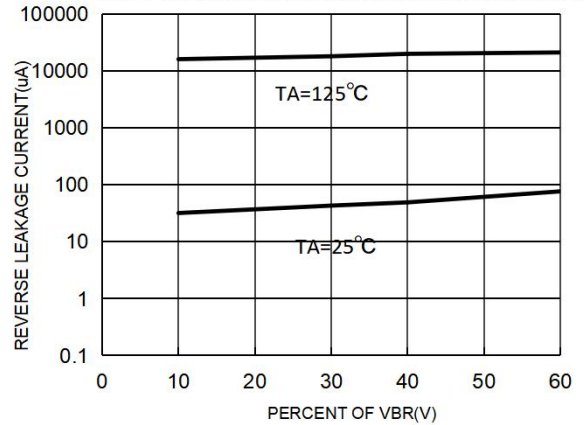
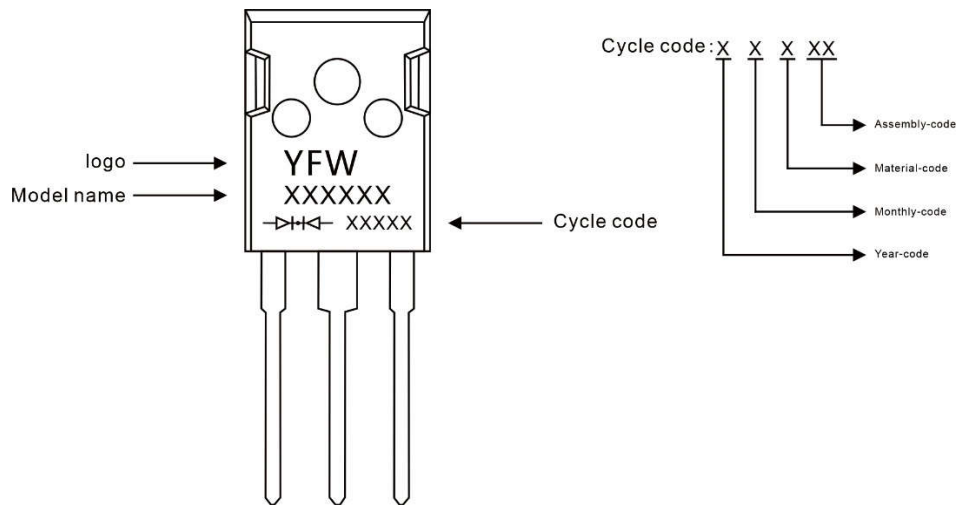


FIG. 4 TYPICAL REVERSE CHARACTERISTICS PER LEG



Marking Diagram



Ordering information

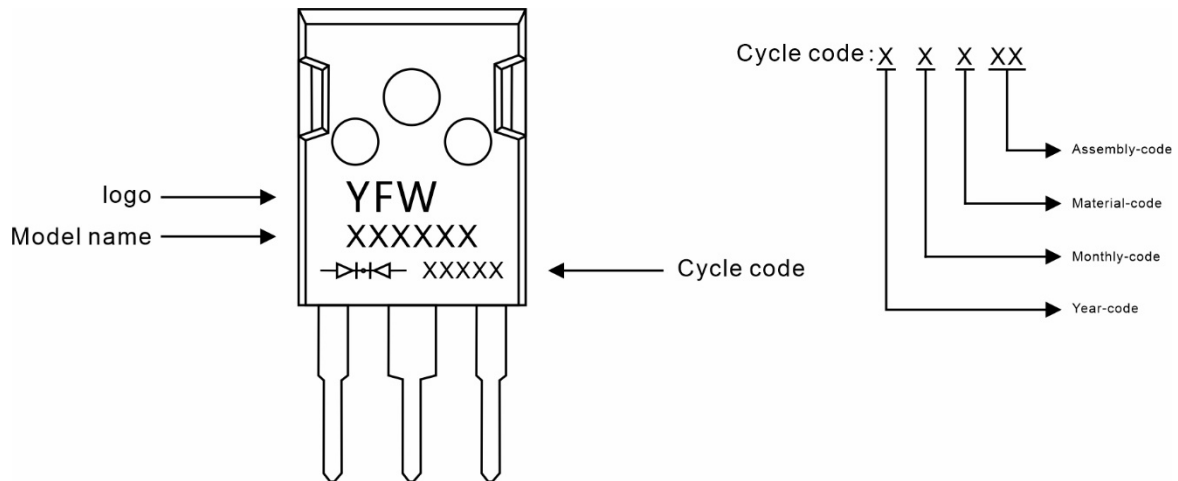
Model name	Package	Unit Weight	Base Quantity	Packing Quantity
SRT40L60PT	TO-247	0.209oz(5.93g)	30pcs/tube	600PCS/Box 2400PCS/Carton

Package Dimensions

TO-247

Symbol	Dimensions in mm		Dimensions in Inch	
	Min.	Max.	Min.	Max.
A	4.90	5.10	0.193	0.201
A1	1.90	2.10	0.075	0.083
A2	2.29	2.54	0.090	0.100
b	1.00	1.40	0.039	0.055
b1	2.00	2.20	0.079	0.087
b2	3.00	3.20	0.118	0.126
c	0.50	0.70	0.020	0.028
D	15.75	16.05	0.620	0.632
E	20.20	20.80	0.795	0.819
e	5.45 (BSC)		0.215 (BSC)	
e1	10.90 (BSC)		0.429 (BSC)	
F	6.05	6.25	0.238	0.246
F1	5.80	6.00	0.228	0.236
L	20.10	20.40	0.791	0.803
L1	4.05	4.35	0.159	0.171
Φ	3.50	3.70	0.138	0.146

Marking Diagram



Ordering information

Model name	Package	Unit Weight	Base Quantity	Packing Quantity
SRT40L60PTS	TO-247S	0.158oz(4.48g)	30pcs/tube	600PCS/Box 2400PCS/Carton

Package Dimensions

TO-247S

Symbol	Dimensions in mm		Dimensions in Inch	
	Min.	Max.	Min.	Max.
A	15.0	16.0	0.59	0.63
B	19.5	20.5	0.77	0.81
C	33.5	35.5	1.32	1.40
D	5.0	6.0	0.20	0.24
E	3.5	4.5	0.14	0.18
F	2.5	3.5	0.10	0.14
G	1.75	2.5	0.07	0.14
H	3.0	4.0	0.12	0.16
I	9.0	11.0	0.35	0.43
J	4.9	5.1	0.19	0.20
K	1.0	1.3	0.04	0.05
L	3.75	4.25	0.15	0.17
M	4.75	5.25	0.19	0.21
N	1.8	2.2	0.07	0.09
O	0.45	0.6	0.018	0.024
P	5.08		0.2	
Q	1.2	1.3	0.05	0.051

Disclaimer

The information presented in this document is for reference only. Guangdong Youfeng Microelectronics Co.,Ltd. reserves the right to make changes without notice for the specification of the products displayed herein to improve reliability, function or design or otherwise. The product listed herein is designed to be used with ordinary electronic equipment or devices, and not designed to be used with equipment or devices which require high level of reliability and the malfunction of which would directly endanger human life (such as medical instruments, transportation equipment, aerospace machinery, nuclear-reactor controllers, fuel controllers and other safety devices), YFW or anyone on its behalf, assumes no responsibility or liability for any damages resulting from such improper use of sale. This publication supersedes & replaces all information previously supplied. For additional information, please visit our website <https://www.yfwdiode.com>, or consult YFW sales office for further assistance.